

---

# TRIO OPERA LIGHT

---

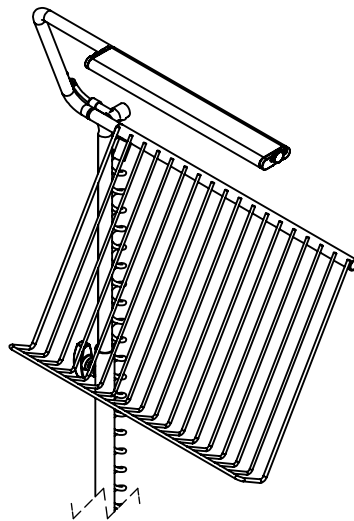
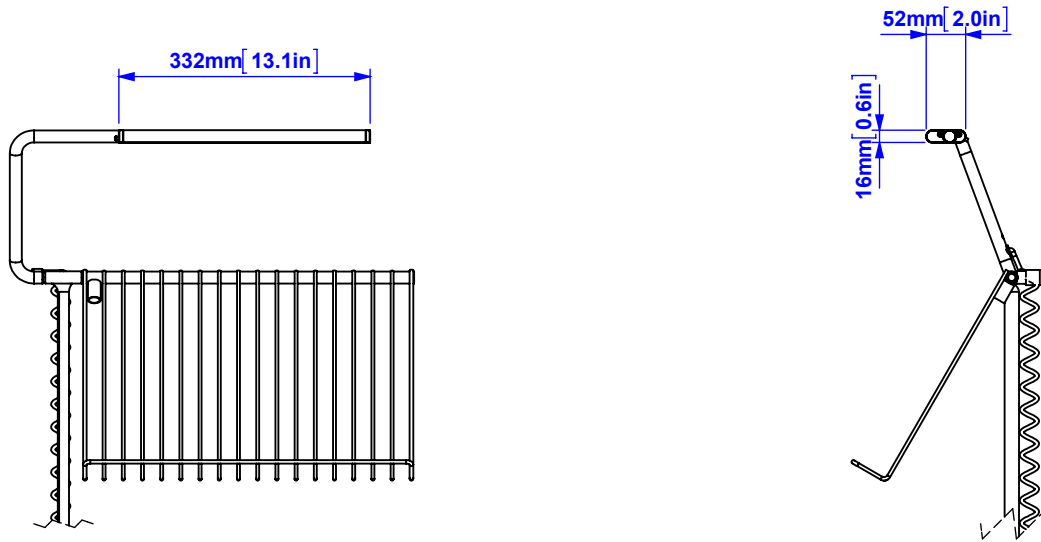
The best lamp on any music stand, anywhere!  
Using the latest high powered LEDs giving  
very bright and even illumination of the score  
with less light spillage than any other light we  
know of. The finger-slim aluminium housing  
allows the musician the best possible view of  
the conductor.



**RAT**stands

# TRIO OPERA LIGHT

Detailed specification



## Specifier's description

Integral light for The Opera Stand. Slim aluminium housing, 16mm thick, containing 32 LEDs with a variable colour temperature between 2700-4000K. Low voltage light which can be powered

by battery or mains power in conjunction with the correct PSU. Provision to adjust brightness and colour temperature on the light or is overridden remotely by an appropriate PSU.

Construction	
Structural parts	Steel
Lamp housing	Extruded aluminium
cable type	coiled cable with PU outer sheath
electrical connector type	customised 2-pin XLR plug

Dimensions	
Profile of lamp as seen by user: thickness	16mm [0.6in]
Profile of lamp as seen by user: width	330mm [13.0in]
Rotation of lamp housing	300°
Cable length (from clip, fully stretched)	0mm [0in]
Weight	0.6kg [1.3lb]

Optical characteristics	
Colour temperature	2700-4000K
CRI	80 min
Life of LEDs to 70% of initial output (L70)	60,000hrs
Light intensity at mid-point of an A4 score	775-825 lux
Luminous flux from LEDs	450 lm

Electrical characteristics	
SELV (Safety extra low voltage)	YES
Class II insulation (double insulated)	NO
Operating voltage	18-28V
Electrical power consumption	6.6W
Circuit luminous efficacy	68 lm/W

General	
Commercial use warranty	2 years
Applicable standards	EN55022 EN60598 EN60529
IP rating	IP32
RATstands part number	66Q03