

BioScreen Trolley

A sturdy storage cart to make transporting BioScreens simple and fast. The BioScreen trolley can hold up to 12 screens of either plastic option, and a mix of the the 3 sizes (up to 8 screens can fit through a standard door).



Rshield



The BioScreen Trolley can hold up to 12 screens nested together, (8 screens to fit through a standard door).

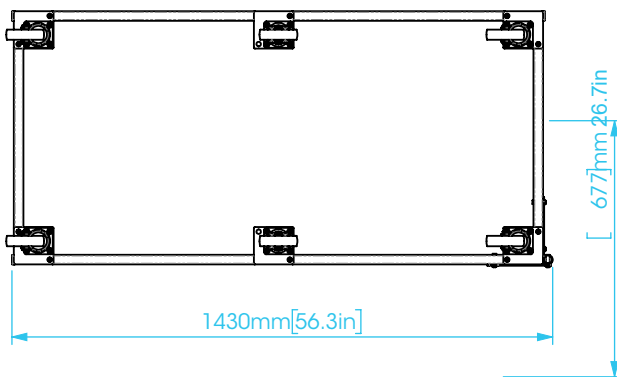
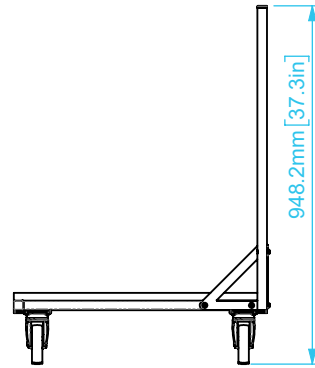
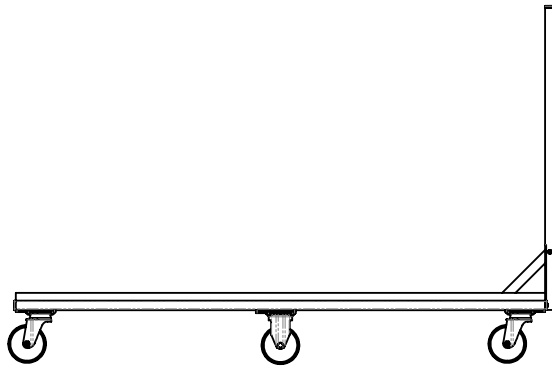
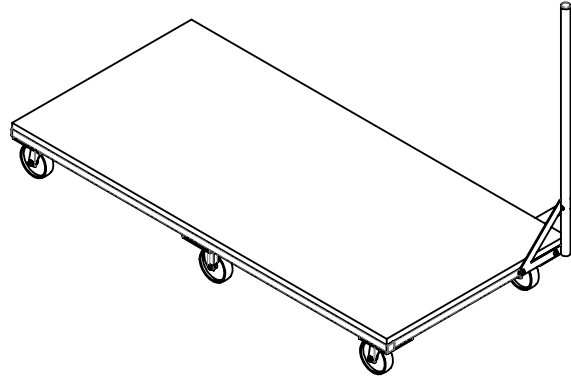
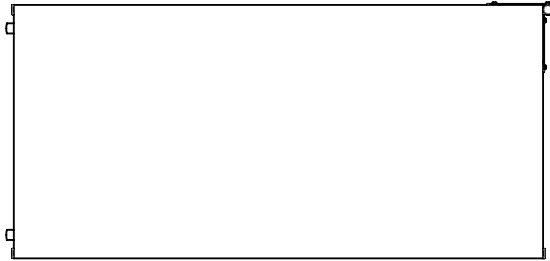


The BioScreen Trolley can support a combination of the clear or fluted, and the desk screen, short, or full height screens at the same time. This allows for the entire range of BioScreens to be used and stored easily.



Made in UK

With facilities in London and Essex all of our Rshield products are designed and made in the UK.



Detailed Specification

Specifier's description

A strong steel storage cart for protective screens, with a chip board base. Cart can hold a maximum of 12 screens (8 to fit through a standard door). A vertical

black powder coated handle for easy steering. 4 unbroken swivel castor wheels and 2 fixed castor wheels.

Construction	
Structural parts	Steel
Wheels	Grey synthetic tyre
Platform	Chip Board
Coating	Black powder coat

Dimensions	
Width	677mm [26.7in]
Height	948mm [37.3in]
Length	1430mm [56.3in]
Item capacity	Up to 12 screens
Weight	16kg [2.2lbs]

General	
Warranty	5 years
Part number	95Q3