
Trio4 Piano Light

With battery dock

A modern desk style piano lamp with the ability for the musician to control the colour temperature and intensity of the light to suit their requirements. High quality and energy efficient LEDs are encased by slim aluminium housing so that the musician's view is not obstructed. Lights can be used with a radio DMX system for a wireless set up.



RATstands



A strip of high quality and energy efficient LEDs give an exceptionally bright and even illumination over the entire score. They are virtually indestructible and never wear out. Precision light guides ensure excellent cut of the light resulting in minimal light spillage.



The colour temperature of the light can be varied between 2700K and 4000K. Brightness and colour temperature can be controlled by the musician (using the thumb wheels on the lamp), or by the lighting desk. Control by the lighting desk has priority over control by the musician.



Very slim housing ensures that the lamp doesn't obstruct the musician's view.



The steel base is weighted for stability and to ensure the lamp stays where it is placed. The base has a rubber underlay so that the lamp does not scratch the piano.



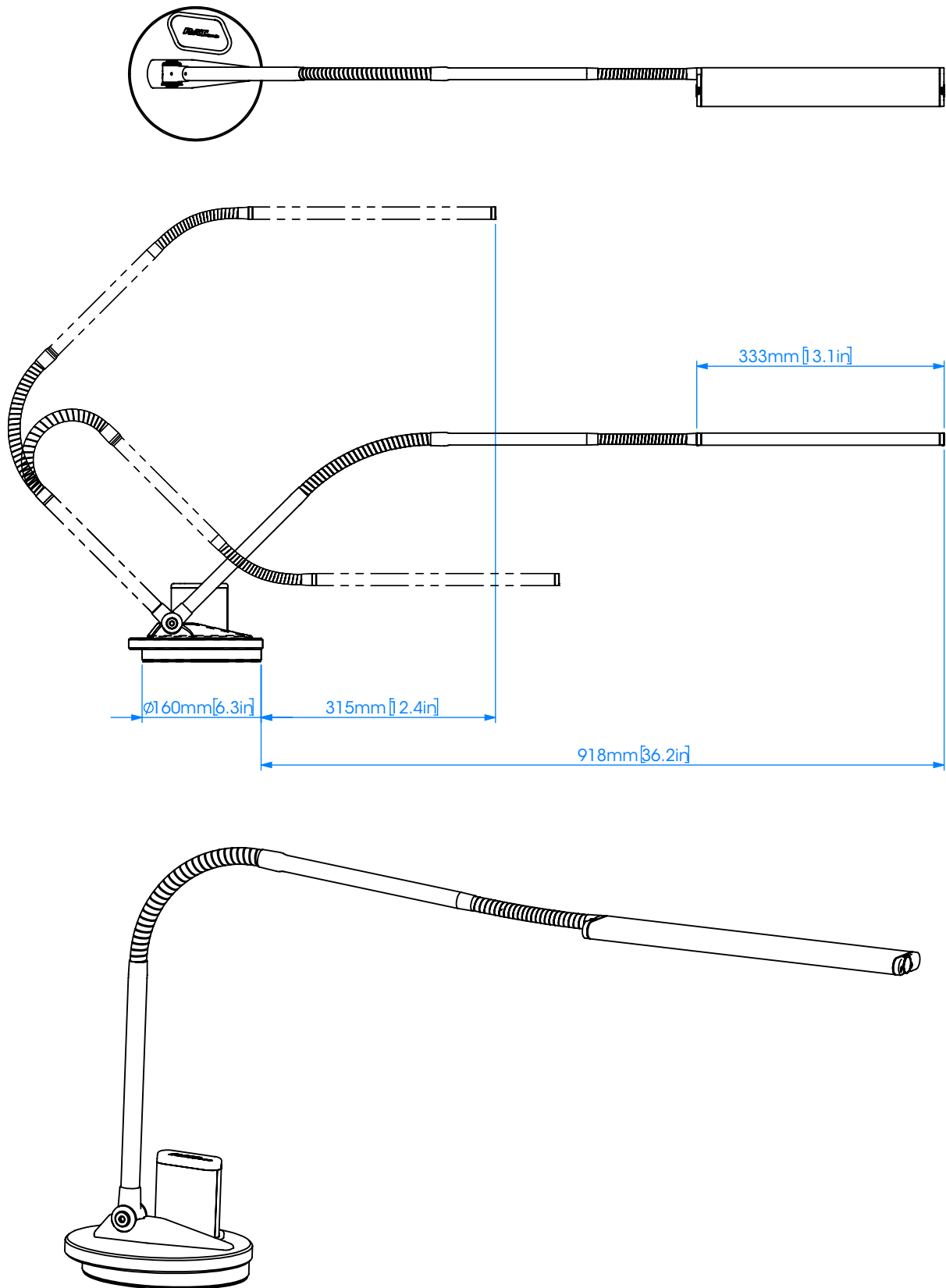
The flexible gooseneck is 800mm long, allowing the pianist to find the optimal position.



The Piano Light can be powered using the supplied mains PSU or rechargeable battery. The battery can be recharged whilst the light is in use.



Radio DMX system offers a wireless set up to control the light temperature and intensity from the lighting desk. The Piano Light can be used with other Trio4 Clip or Opera Lights.



Specifier's description

Universal piano desk lamp with a single lamp head on an adjustable gooseneck. Slim aluminium housing, 16mm thick, containing LEDs with a variable colour temperature of 2700-4000K. Provision to adjust brightness and colour temperature on the light or is overridden remotely by an appropriate PSU. Radio capabilities as standard. Low voltage light power using either mains PSU or Li-ion battery. Battery can be recharged whilst light is in use.

Construction	
Structural parts	Steel
Lamp housing	Aluminium
Cable type	Straight PVC insulated cable, ordered separately
Electrical connector type	DC plug

Dimensions	
Profile of lamp as seen by user: thickness	16mm [0.6in]
Profile of lamp as seen by user: width	330mm [13in]
Rotation of lamp housing	Unlimited
Weight	4.9kg [10.8lbs]

Optical characteristics	
Colour temperature	2700 - 4000K
CRI	80min
Life of LEDs to 70% of initial output (L70)	60000hr
Light intensity at mid-point of an A4 score	1910 lux
Luminous flux from LEDs	662lm

Electrical characteristics	
SELV (Safety extra low voltage)	YES
Operating voltage	18- 28V
Electrical power consumption	5.1 W
Circuit luminous efficacy	130 lm/W

General	
Warranty	2 years
IP rating Part number	93Q3IP50
IP rating	93Q4
Applicable standards	EN55015, EN55035, EN60529, EN60598
Markings	CE