

FM Microphone Stand

A microphone stand with a significant range of height, that can be folded completely flat with ease, and without the requirement of dismantling or adjusting any levers or screws. This microphone stand is great for situations where space is limited and is perfect for use in a studio or on stage. It's clean and modern design is unlike any other mic stand on the market.



Product Features



The stand can be folded completely flat in 2 steps which makes it ideal for transporting between rehearsals and performances, as well as for easy storage.



The mic stand can be effective for a wide variety of applications with a variable height of 442mm - 1531mm. This range of height adjustment allows for the stand to be placed on the ground when there is limited space on a riser.



Friction locks will automatically hold the mic at the desired height and angle, without the requirement of adjusting any thumb screws or levers. The anodised aluminium stem is very strong and rigid, ensuring that the stand will not sway.



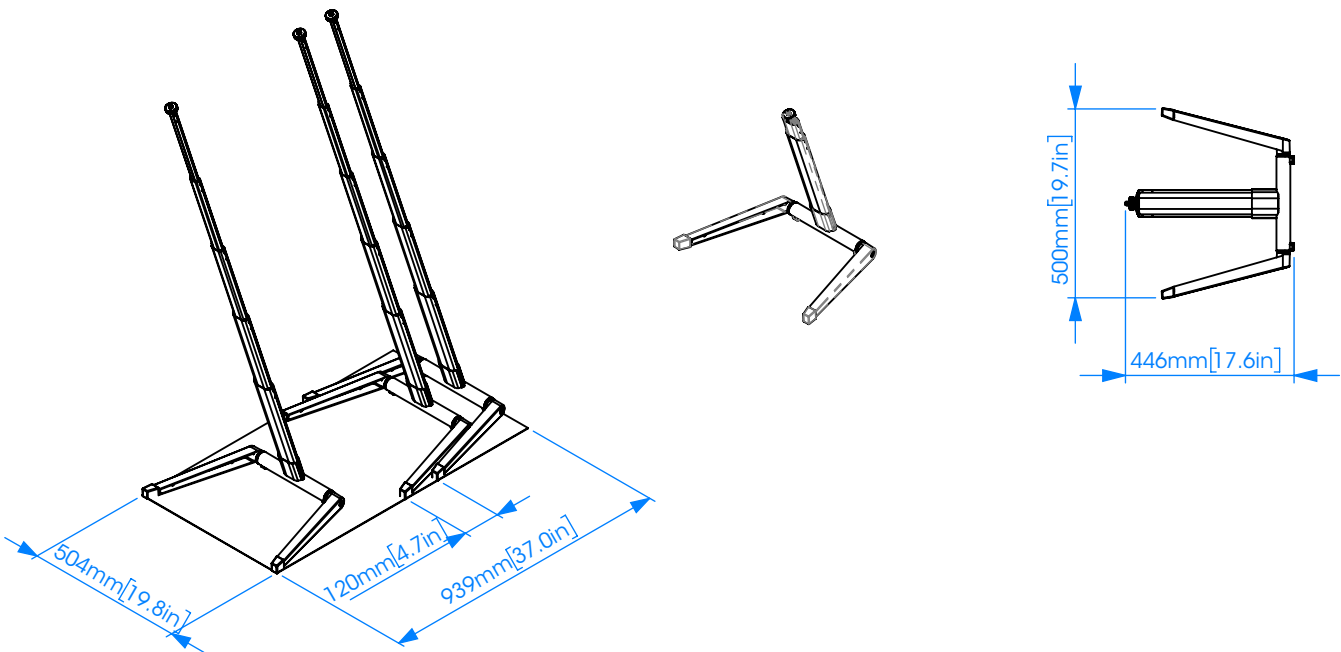
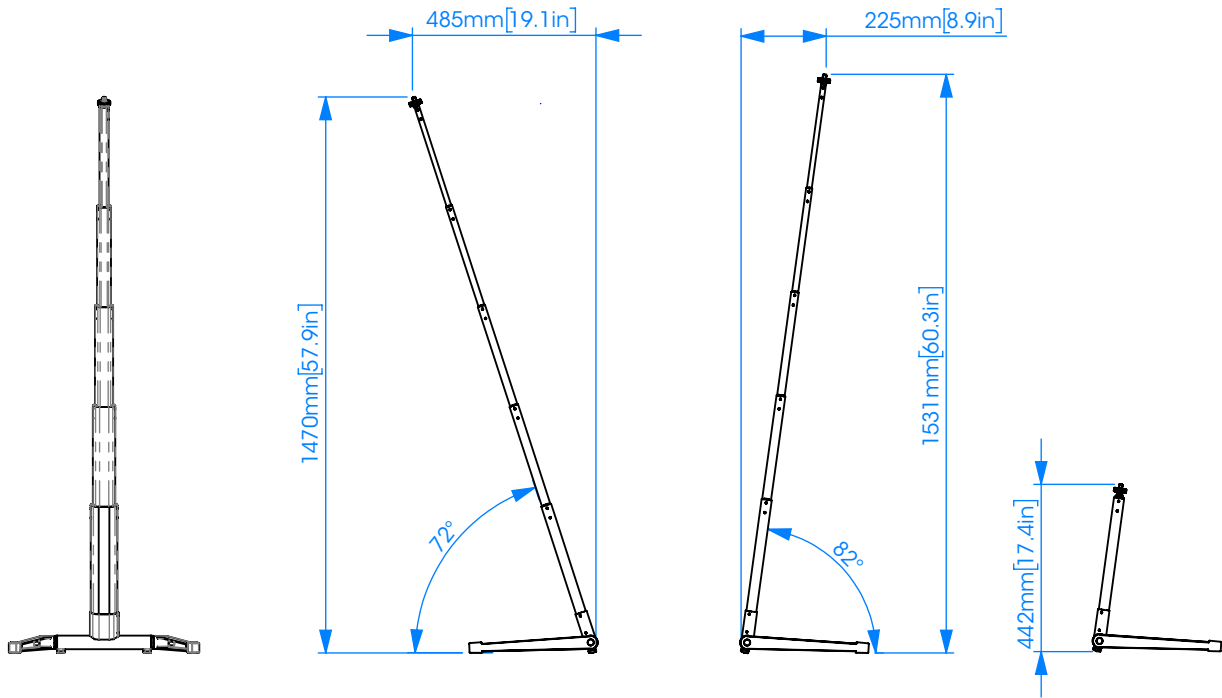
The unique design of this die cast aluminium base give the mic stand enormous strength whilst maintaining a low weight and ensures stability of the microphone. Rubber feet preserve the floor and prevent clatter if the stand is knocked.

Product Features



The flexible design enables the base to be reversed, allowing the stand to be placed closer to the chair or musician in front. Great for situations where space is limited.

Detailed Specification



Detailed Specification

Specifier's description

Folding microphone stand with microphone screw. Stands can be folded flat without the need to dismantle or adjust any screws, or levers. Telescopic stem made from anodised aluminium has a height adjustment range from 439mm to 1527mm. Lever free locks for stand height. Base comprises of die cast aluminium legs with an epoxy coating, and rubber feet. Bases can be nested on a flat floor without requiring a trolley. Base has 2 legs for stability. Base can be reversed for space saving.

| Construction | |
|------------------|---|
| Structural parts | Aluminium |
| Feet | Rubber |
| Coating | Anodised Aluminium Polyester powder coating |

| Dimensions | |
|---|--|
| Minimum height to top of stem | 439mm [17.3in] |
| Maximum height to top of stem | 1527mm [60.1in] |
| Nesting pitch | 120mm [4.7in] |
| Storage height | 439mm [17.3in] |
| Floor area occupied by 20 nested stands | 2619 x 500mm [103.1 x 19.7in] |
| Volume of folded stand | 500 x 446 x 30mm [19.7 x 17.6 x 1.2in] |
| Microphone screw size | 3/8 Whitworth |
| Maximum weight microphone | 1kg [2.2lbs] |
| Weight | 1.9kg [4.2lbs] |

| General | |
|-------------|---------|
| Warranty | 5 years |
| Part number | 55Q3 |