

---

# Trio4 Opera LED Light

The industry's most advanced musicians light, the Trio4 LED Light gives more, better quality light and with greater control than any other music stand light on the market.

---



**RAT**stands



The slim housing ensures the lamp does not obstruct the musician's view of the conductor. Precision light guides ensure excellent cut off of the light, resulting in minimal light spillage.



32 state-of-the-art low voltage LEDs give exceptionally bright and even illumination over the entire score. LEDs are virtually indestructible and never wear out, so you'll never again have to change a bulb in the middle of a performance.



The colour temperature of the light can be varied between 2700K and 4000K.

Both the brightness and colour temperature can be controlled by the musician by simply using the thumb wheels on the lamp, or by the lighting desk.

Control by the lighting desk has priority over control by the musician.



The light fits integrally and exclusively to the RATstands Opera Stand range. The arm slots into the side of the Opera Stand's tray and can be tightened using a hex key. The light can be rotated so that the musician can set it at their desired position.



The Trio 4 can be powered by batteries, or by mains power using the appropriate PSU.

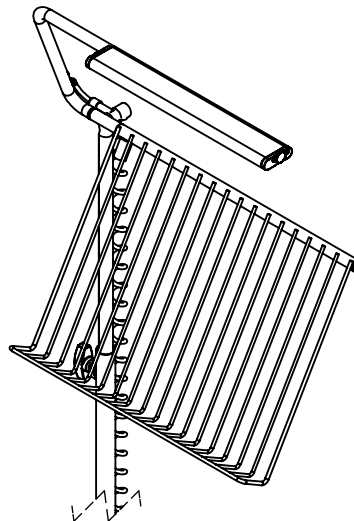
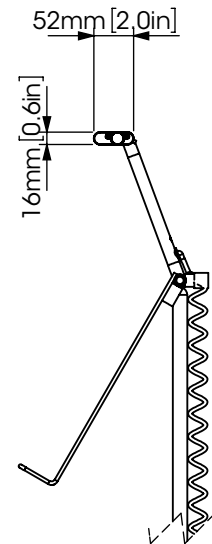
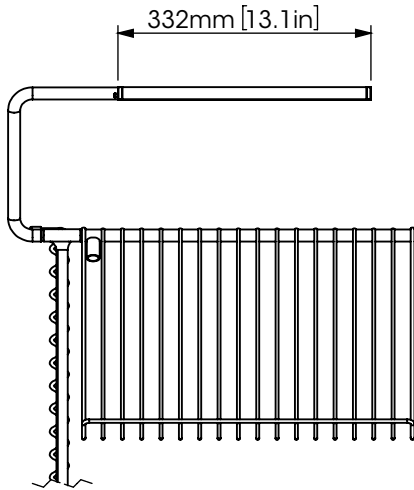
When powered by batteries, the light progressively warns the user when the battery is running low, giving plenty of time to change the battery without plunging the musician into darkness.

The 24v rechargeable lithium-ion battery is long lasting and strong. It is not only a cable-free power option, but it is also environmentally friendly.

When powered by the PSU, the lights can be connected to the PSU in a star configuration or in a daisy chain.



Control by the lighting desk can be by Powerline Control (when powered by our DMX PSU), or by the Radio DMX Transmitter when powering the lights using Li-ion batteries.



## Specifier's description

Universal music stand light with rotating arm fitment specifically to fit the RATstands Opera Stand. Slim aluminium housing, 16mm thick, containing 32 LEDs with a variable colour temperature between 2700K-4000K. Low voltage light which can be powered by battery or mains power in conjunction with the correct PSU. Provision to adjust brightness and colour temperature on the light or is overridden by an appropriate PSU. Radio capabilities as standard.

Construction	
Structural parts	Steel
Lamp housing	Aluminium
Cable type	Coiled cable with PU outer sheath
Electrical connector type	Customised 2-pin XLR

Dimensions	
Profile of lamp as seen by user: thickness	16mm [0.6in]
Profile of lamp as seen by user: width	330mm [13in]
Rotation of lamp housing	300°
Cable length (from base of stand)	1.8m [70.9in]
Weight	0.6kg [1.3lbs]

Optical characteristics	
Colour temperature	2700K-4000K
CRI	80CRI
Life of LEDs to 70% of initial output (L70)	60000hr
Light intensity at mid-point of an A4 score	1725lux
Luminous flux from LEDs	130lm

Electrical characteristics	
SELV (Safety extra low voltage)	YES
Operating voltage	18-28V
Electrical power consumption	5.1W
Circuit luminous efficacy	25lm/W

General	
Warranty	2 years
Part number	66Q08
IP rating	IP50
Applicable standards	EN55015, EN55035, EN60529, EN60598
Markings	CE