
Twin Head Trio4 Clip-on Light

The Twin-Trio LED Clip-on Light gives more, better quality light, with greater control than any other music stand light. It allows for a clear view of the conductor with two separate heads which can be positioned individually by the flexible goosenecks.



RATstands



The slim housing of two lamp heads on individual goose necks, ensure there is no obstruction to the musicians view of the conductor.



32 state of the art low voltage LEDs give exceptionally bright and even illumination over the entire score. They are virtually indestructible and never wear out. Precision light guides ensure excellent cut of the light resulting in minimal light spillage.



The colour temperature of the light can be varied between 2700K and 4000K. Brightness and colour temperature can be controlled by the musician (using the thumb wheels on the lamp), or by the lighting desk. Control by the lighting desk has priority over control by the musician.



Can be powered by battery to by mains power using the appropriate PSU-see power supplies.

When powered by battery, the light progressively warns the user when the battery is running low, giving plenty of time to change the battery.

When powered by the PSU, lights can be connected to the PSU in a star configuration or in a daisychain.



Control by the lighting desk can be by Powerline Control (when powered by our DMX PSU), or by the Radio DMX Transmitter when powering the lights using li-ion batteries.

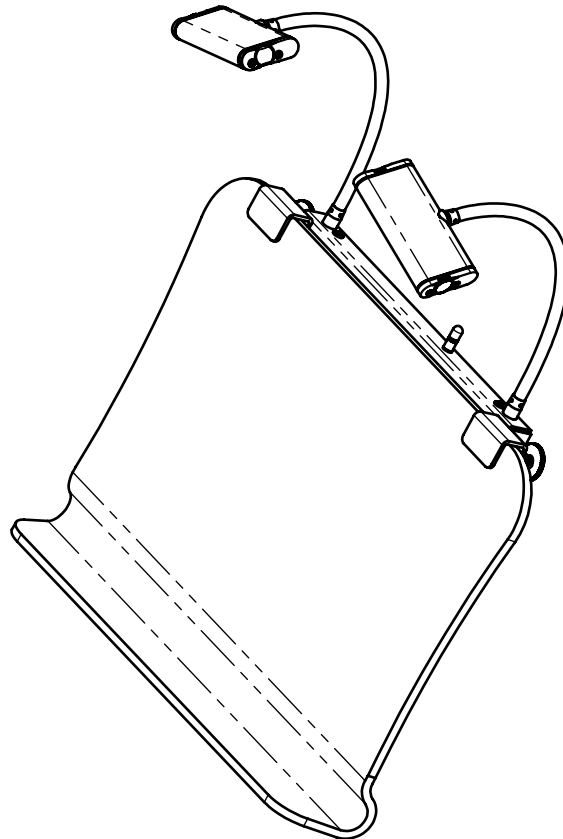
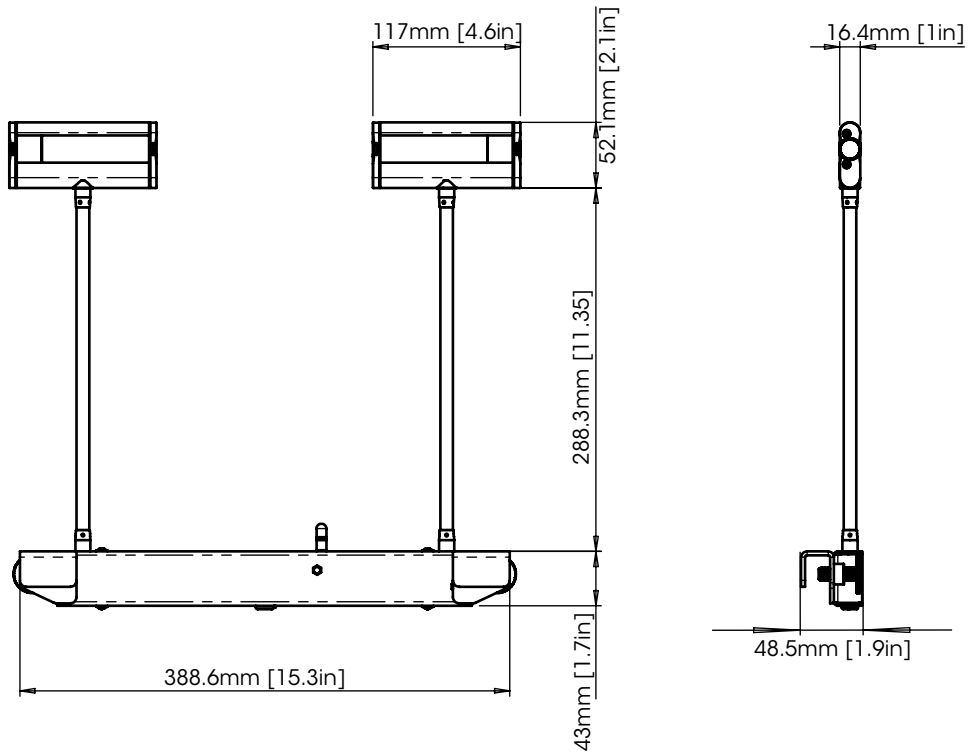


When powered by the PSU, lights can be connected to the PSU in a star configuration or in a daisychain.



The base of the lamp can be clamped rigidly to the back of most music trays using two strong nylon thumb screws.

Detailed Specification



Detailed Specification

Specifier's description

Universal music stand light with two lamp heads on a gooseneck. Slim aluminium housing, 16mm thick, containing 32 LEDs with a variable colour temperature between 2700-4000K. Low voltage light which can be powered by battery or mains power in conjunction with the correct PSU. Provision to adjust brightness and colour temperature on the light or is overridden remotely by an appropriate PSU. Radio capabilities as standard.

Construction	
Structural parts	Steel
Lamp housing	Aluminium
Cable type	Coiled cable with PU outer sheath
Electrical connector type	Customised 2-pin XLR

Dimensions	
Profile of lamp as seen by user: thickness	16mm [0.2in]
Profile of lamp as seen by user: width	117mm [4.6in]
Rotation of lamp housing	As permitted by the gooseneck
Cable length (from clip, fully stretched, unextended)	770mm [30.3in]
Weight of light	0.9kg [1.9lbs]

Optical characteristics	
Colour temperature	2700K-4000K
CRI	80CRI
Life of LEDs to 70% of initial output (L70)	60000hr
Light intensity at mid-point of an A4 score	1910lux
Luminous flux from LEDs	662lm
Lateral beam angle (defined as 50% of maximum)	8°
Rearward beam angle (defined as 50% of maximum)	34°
Forward beam angle (defined as 50% of maximum)	31°

Electrical characteristics	
SELV (Safety extra low voltage)	YES
Operating voltage	18-28V
Electrical power consumption	5.1W
Estimated Circuit luminous efficacy	130lm/W

General	
Commercial use warranty	2 years
Applicable standards	EN55015, EN55035, EN60529, EN60598
IP rating	IP50
Part number	73Q82