
APOLLO DMX DIMMER

The DMX-PSU enables up to 24 Apollo lights to be powered from one mains supply, and controlled from the lighting desk by DMX.



1. The DMX Dimming Unit has an external 24V power supply.

2. The DMX Dimming Unit has 3 lockable DC sockets for the low voltage output. Each socket can power up to 8 lights, and each one is controlled separately with its own DMX address.

3. The starting DMX address is set using 3 rotary switches.

4. All connectors are protected from accidental damage by the overhanging design of the housing.

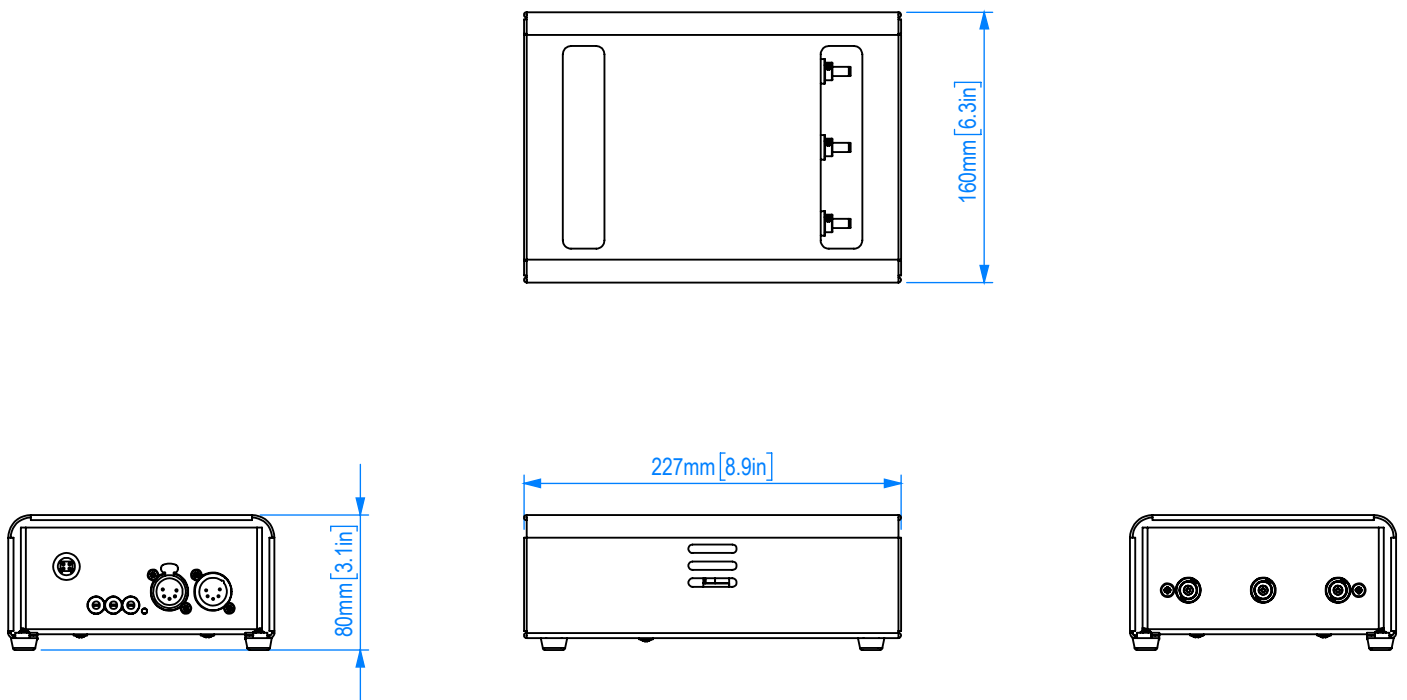
5. A bud chain is available to plug into each DC socket. The bud chain consists of a lockable DC plug which connects to the DMX Dimming Unit, and 8 lockable DC sockets at 1.5m intervals. The lights are plugged into successive sockets.

6. As an alternative to the bud chain, a star connector lead can be plugged into the DMX Dimming Unit. The star connector lead consists of a non-lockable plug which connects to the DMX Dimming Unit, and 8 non-lockable sockets.



APOLLO DMX DIMMER

Detailed specification



Specifier's description

Low voltage dimmer for 24V DC LED lights, controllable by DMX input.
 3 separately controllable output circuits, each capable of driving 8 lights.
 Input and output plugs protected from accidental damage. Requires a 24V power supply.

Construction	
Structural parts	Steel
Coating	Hot dipped nylon

Dimensions	
Length	227mm [8.9"]
Width	160mm [6.3"]
Height	80mm [3.1"]
Weight	1.5kg [3.5lbs]

Electrical characteristics	
Input voltage	24V DC
Maximum power consumption	200W
Output voltage	24V DC

Physical characteristics	
Mains power input connector type	4 pin DIN
Low voltage output connector type	DC socket
Number of separately controllable output circuits	3
Maximum number of lights which can be connected	24
Control modes	DMX control Test Fixed dimming (10%, 20%, 30%, 40%, 50%, 60%, 70%, 80%, 90%)

General	
Commercial use warranty	2 years
RATstands part number	74Q381
Applicable standards	EN55022: 2010 EN55024: 2010 Criteria A EN60950-1:2006+A2:2013
Markings	CE