



## 1. ATTACHING THE LIGHT

### For Opera Lights

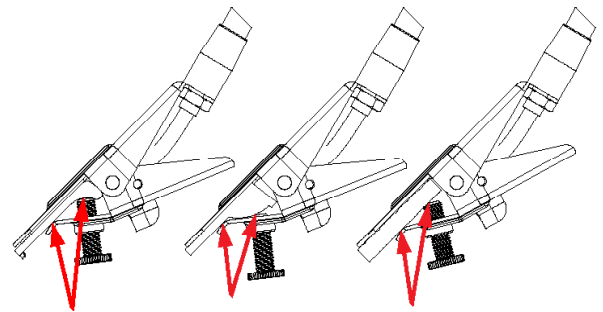
Insert the spigot at the end of the light arm into the socket at the top of the Opera Stand stem, and use the Allen key supplied with the stand to slacken the screw just enough to enable the light arm spigot to be fully inserted. Tighten the screw until the right level of friction is achieved.








### For Clip Lights

The light is designed to fit a variety of music tray styles and it is therefore fitted with an adjustment screw which should be set according to your particular tray, as follows:

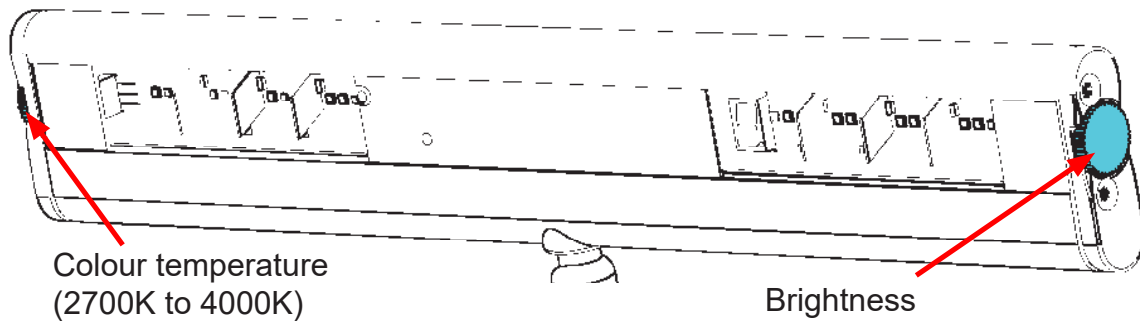
Clip the light to the top of the tray, and adjust the screw until its tip just touches the underside of the tray. The clip should now make firm contact with the underside of the tray at two points, as indicated by the arrows.



## 2. OPTIONS TO CONTROL AND POWER THE LIGHTS

Powered by			Can be controlled by
		XLR Daisy chain through Powerline PSU (drive a total of up to 17 lights). The PSU has 2 outputs so that up to 10 lights can be chained per output. The XLR junction box clips to the base of the music stand.	Powerline, radio (provided no dmx transmitter is plugged into the powerline) or manual
		XLR Daisy chain through Powerline dimmer (functions the same as PSU but has an external power supply, drive a total of up to 17 lights). The XLR junction box clips to the base of the music stand.	
		Rechargeable battery that can be clipped to the base of the music stand stem.	Radio or manual
		Plug top PSU that provides 24 volt when directly plugged into the mains.	Radio or manual

### 3. LOCAL CONTROL



Thumbwheel controls at each end of the light enable the musician to adjust the brightness and colour temperature of the light output.

### 4. POWERLINE AND RADIO TRANSMITTER OPERATING INSTRUCTIONS



**Display button:** a short press of the Display Button causes the LED display to show the currently set zone; a long press causes it to show the state of charge of the battery connected to the light (see section 1 of Battery and Charging Station Operating Instructions Manual).

**Setting button:** pressing the Setting Button once causes the display to show the current set zone; subsequent presses increment the zone number.

#### **Battery charge**

If the light is powered using a battery and the remaining charge falls to 0, the light will limit its maximum brightness and flash B and 0 on the LED display, to indicate that the battery needs to be charged (for more information see section 1 of Battery and Charging Station Operating Instructions Manual).

**Note that even when the LEDs are emitting no light, the Trio4 will draw a small current from the battery and will eventually drain it completely. This can ultimately lead to battery failure. Therefore the light should be disconnected from the battery whenever it is not in use.**

## Setting the light up for remote control

Each light can be placed into one of 7 different zones for the purposes of remote control (1-6) or control can be given to the user.

LED Display	Control
0	Manual Control (overrides remote control)
1	Zone 1
2	Zone 2
3	Zone 3
4	Zone 4
5	Zone 5
6	Zone 6

Zone 0 gives local control to the user irrespective of the fact that powerline or radio is being used.

Double lights requires both displays to be set to the same zone in order to be controlled from one zone.

### Order of priority

Radio has priority over the thumbwheels, and Powerline has priority over a Radio signal. So the order of seniority is:

1. Powerline
2. Radio
3. Thumbwheels

Under remote control, options are available to give limited control to the user (see section 4 Power and Control Systems).

## 5. COMPATIBILITY MODE

### Trio3 Powerline

When powering and controlling a Trio 4 light through a Trio3 Powerline PSU the Trio 4 light will effectively behave like a Trio 3 light. Whereby:

Channel 1: controls brightness of the light regardless of the zone the light is in.

Channel 2: controls the colour temperature of the light.

### Trio3 Radio

Under Trio 3 radio control the Trio 4 light will effectively behave like a Trio 3 light with radio control.

Whereby channels 1 and 2 will control brightness and colour temperature of zone 1, channels 2 and 3 will control brightness and colour temperature of zone 2 and so on for all six zones.

If the colour temperature is raised to DMX level 253 or above control of the colour temperature is given to the user.

The Trio 4 special functions are disabled when in compatibility mode.