
Opera Chair

Designed for superior comfort and support, the Opera Chair can be adapted to meet the needs of an entire orchestra. Available in 3 styles- Non adjustable, Seat Adjustable, and Seat and Leg Adjustable.



RATstands



The Opera Chair is available in 3 styles – non-adjustable, seat adjustable, and seat and leg adjustable. Adjustable versions of the Opera Chair enable the chair's leg height and seat angle to be adjusted independently. The Chairs have been designed to meet the needs and sitting positions of all different instrumental musicians, such as a cellist, pianist, harpist. Adjustable legs also enable the chair to stand level on uneven flooring and even raked stages.



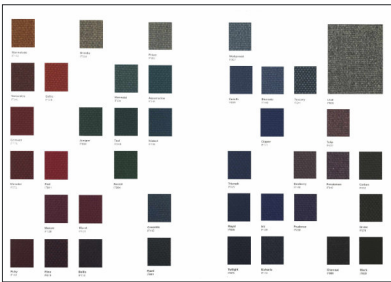
The chair's narrow back provides support where it is needed without hindering the musician's arms, shoulders, and rib cage. The seat and back profiles are designed to provide the optimum seating position for musicians. The back also provides support in the upper lumbar region which encourages an upright posture, whilst the horizontal seat with down turned front edges enables the musician to keep their feet flat on the floor for improved blood circulation. High quality foam provides firm but comfortable support for hours on end.



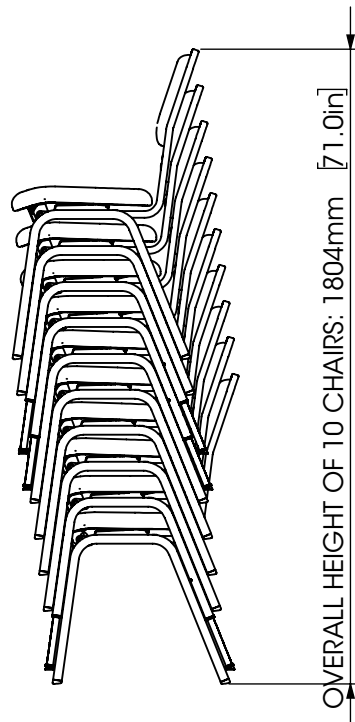
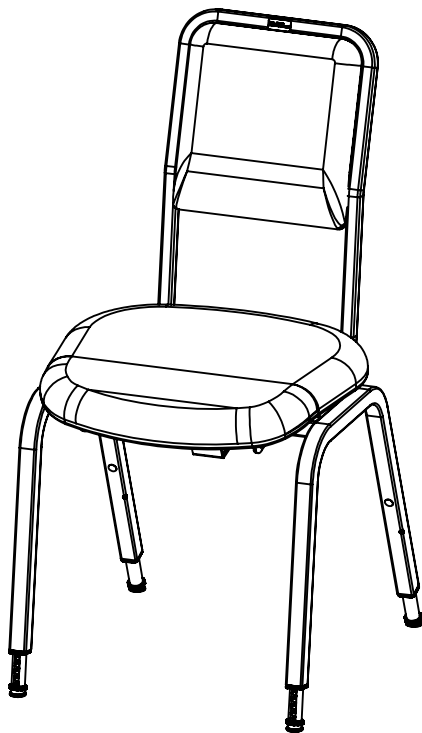
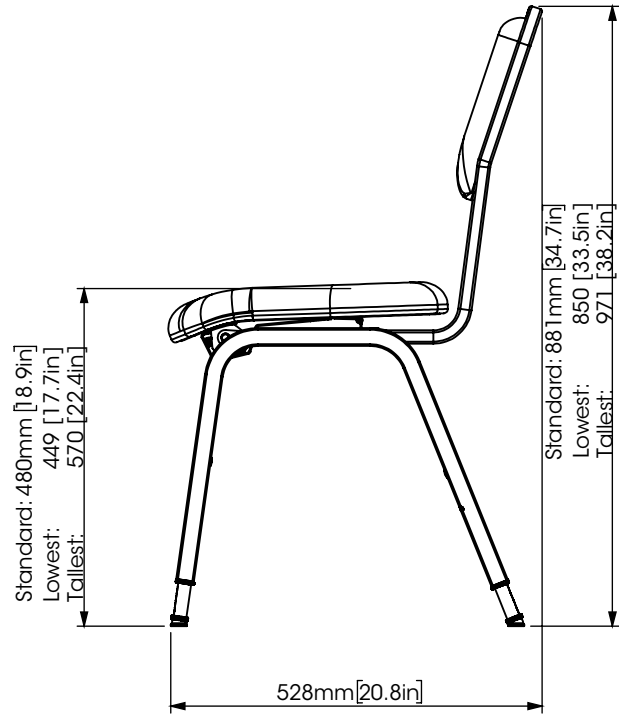
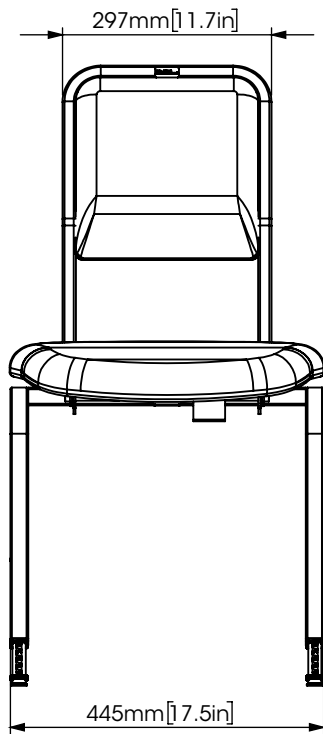
The solid steel chair frame is coated in a black textured polyester powder for maximum durability and a sleek finish.



Chairs can be vertically stacked for compact storage. The Opera Chair Trolley (301 Q80) and Dolly (301 Q81) are available to purchase separately for options to store and transport the chairs. The chairs can easily be manoeuvred by a single person, and chairs with adjustable and non-adjustable legs can be mixed in the same stack.



The seat and backrest are manufactured from firm foam and upholstered with high quality, breathable, and flame-retardant fabric. Our standard charcoal fabric is sophisticated and minimal, and we offer a range of upholstery colours available for a custom look.



Specifier's description

Heavy duty musician's chair with adjustable seat and independently adjustable leg option. Chairs can be stacked vertically and up to 10 high on a flat floor, without loss of stability. Solid steel frame, coated in a textured polyester powder. 35mm thick foam seat, upholstered in flame retardant fabric.

Construction	
Structural parts	Steel
Feet	HDPE
Seat and back	Plywood, Polyether Polyurethane Foam, Upholstery (67% Wool, 20% Flame Retardant Viscose, 13% Viscose)
Coating	Textured Polyester Powder

Dimensions	
Overall depth	528mm [20.8in]
Overall width	445mm [17.5in]
Overall height	Non-Adjustable / Seat Adjustable: 881mm [34.7in] Seat & Leg Adjustable: 850-971mm [33.5-38.2in]
Seat height	Non-Adjustable / Seat Adjustable: 480mm [18.9in] Seat & Leg Adjustable: 449-570mm [17.7-22.4in]
Seat angle	Non-Adjustable: 0° Seat Adjustable / Seat & Leg Adjustable: -2° to + 2°
Vertical stacking pitch	110mm [4.4in]
Area occupied by 10 chairs stacked	643 x 445mm [25.3 X 17.5in]
Weight	Non-Adjustable: 7kg [15.4lbs] Seat Adjustable: 7.5kg [16.5lbs] Seat & Leg Adjustable: 8.3kg [18.3lbs]

General	
Warranty	5 years
Part number	Non-Adjustable: 301Q1048B Seat Adjustable: 301Q2048B Seat & Leg Adjustable: 301Q3048B