
Concert Chair

The Concert Chair's elegant appearance is made for on stage performances in the world's top performing arts venues and can be custom stained to match an auditorium.



RATstands



The Concert Chairs elegant wood frame can be custom stained to match an auditorium. The standard colour is beech wood.

We also offer a wide range of fabric colours for the upholstered versions.



The chairs seat and back are crafted from one piece of high-quality wood and have a lacquered finish. For upholstered chairs, the seat and back padding are formed from extremely foam firm and are hand upholstered with the highest quality fabric. The chair's frame is manufactured from sturdy steel and are coated with a black anti-scratch powder coat for maximum durability and a sleek finish. The legs have foot pads which prevent damage to the floor or stage.



The chair is incredibly ergonomic with its narrow back and freedom for the musician to move their arms and shoulders freely. A horizontal seat enables the musician's feet to rest firmly on the floor. The front legs are also positioned to allow musicians to sit asymmetrically.

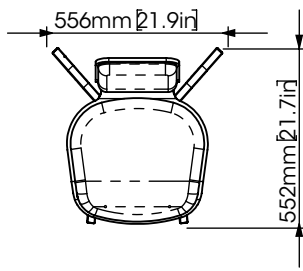


The chair has a height adjustable option available which offers orchestral musicians more flexibility and allows the chair to be adjusted to each user's unique sitting position. The legs can be adjusted individually and enable the chair to stand level on uneven flooring and even raked stages.

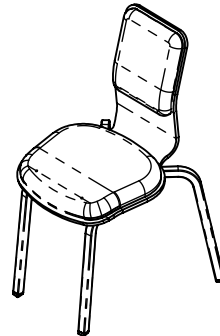
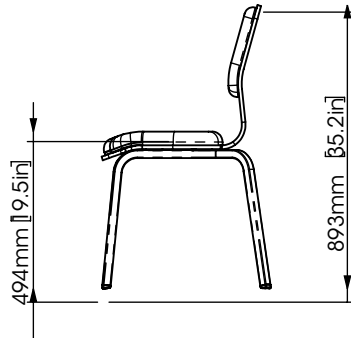
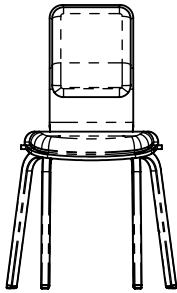


The wooden musicians' chairs can be stacked and stored compactly between performances and rehearsals. There is a chair dolly available to make transporting stacks of them easy.

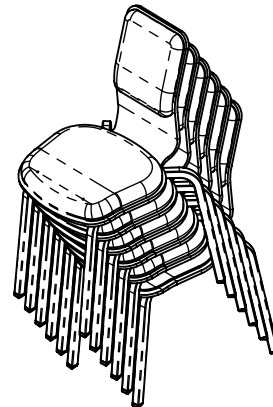
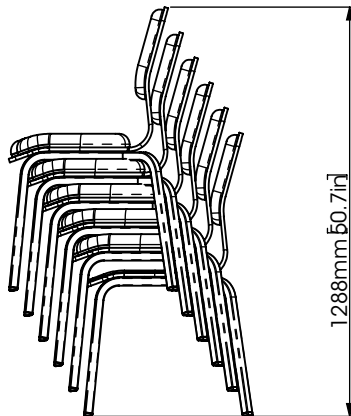
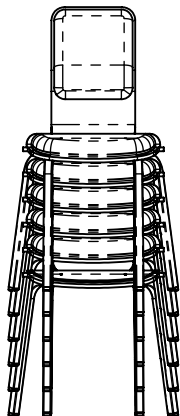
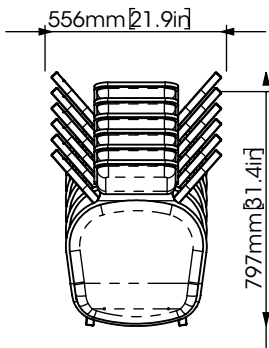
Detailed Specification



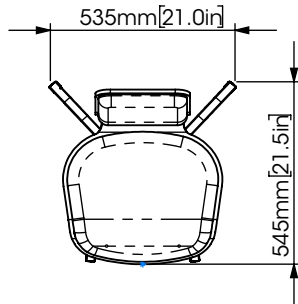
Non-Adjustable Concert Chair



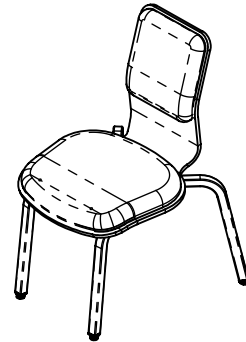
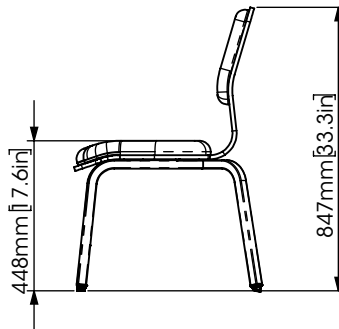
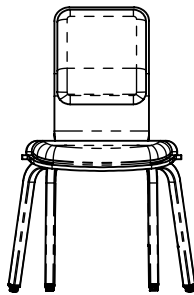
6 Stacked Non-Adjustable Concert Chair



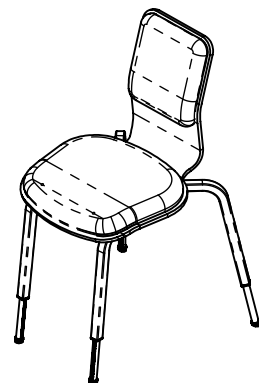
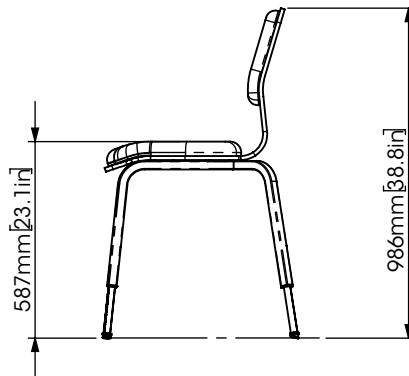
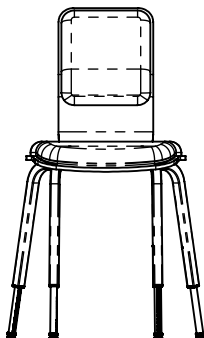
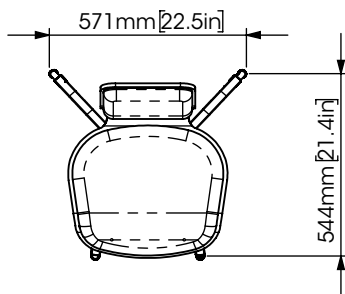
Detailed Specification



Adjustable Concert Chair - Minimum Height



Adjustable Concert Chair - Fully Extended



Specifier's description

Heavy duty musicians chair with independantly adjustable leg option. Chairs can be stacked up to 6 high on a flat floor, without the loss of stability. Solid steel leg frame, coated in a textured polyester powder. Plywood shell frame formed from one piece of wood, can be custom stained. Upholstered option with 35mm thick foam seat and back rest finished with a flame retardant fabric.

Construction	
Structural parts	Steel
Feet	HDPE
Seat and back	All variations frame: Plywood Upholstered variation: Foam: Polyether polyurethane, 65kg/m ³ Fabric: 67% wool, 20% Flame retardant viscose, 13% viscose
Coating	Textured polyester frame & Lacquered wood

Dimensions	
Overall depth	552mm [21.7in]
Overall width	556mm [21.9in]
Overall height	Non Adjustable: 893mm [35.2in] Adjustable Legs: 847-986mm [33.3-38.8in]
Stacking pitch	Uoholstered: 80mm [3.1in] Non Upholstered: 45mm [1.8in]
Seat height (min-max)	Non Adjustable: 494mm [19.4in] Adjustable Legs: 448-587mm [17.6-23.1in] Non-Adjustable, Non-Upholstered: 459mm [18.1in] Adjustable Legs, Non-Upholstered: 413-552mm [16.3-21.7in]
Area occupied by 6 chairs	556x797mm [21.9x31.4in]
Weight	Non-Adjustable: 6.4kg [14.1lbs] Adjustable Legs: 7.2kg [15.9lbs] Non-Adjustable, Non-Upholstered: 5.4kg [12lbs] Adjustable Legs, Non-Upholstered: 6.2kg [13.7lbs]

General	
Warranty	5 years
Part number	Non-Adjustable: 303Q01B Adjustable Legs: 303Q03B Non-Adjustable, Non Upholstered: 303Q02 Adjustable Legs, Non-Upholstered: 303Q04