

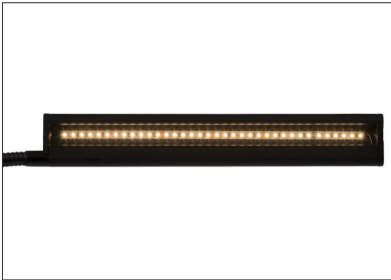
# Apollo Piano Light

With battery dock

A modern desk style piano lamp that provides a light that is relaxing for musicians. A strip of high quality and energy efficient LEDs are encased by slim aluminium housing so that the musician's view is not obstructed. A weighted steel base ensures the lamp does not move.



**RAT**stands  
TEMPO RANGE



A strip of high quality and energy efficient LED's, with a colour temperature of 3000K, provides light which is relaxing for the musician.



The Apollo Piano Light shares the same external materials and design as the RATstands Professional Trio LED Lights. The very slim housing ensures that the lamp doesn't obstruct the musician's view.



The steel base is weighted for stability to ensure the lamp stays where it is placed. The base has a rubber underlay so that the lamp does not scratch the piano.



The flexible gooseneck is 800mm long, allowing the pianist to find the optimal position.

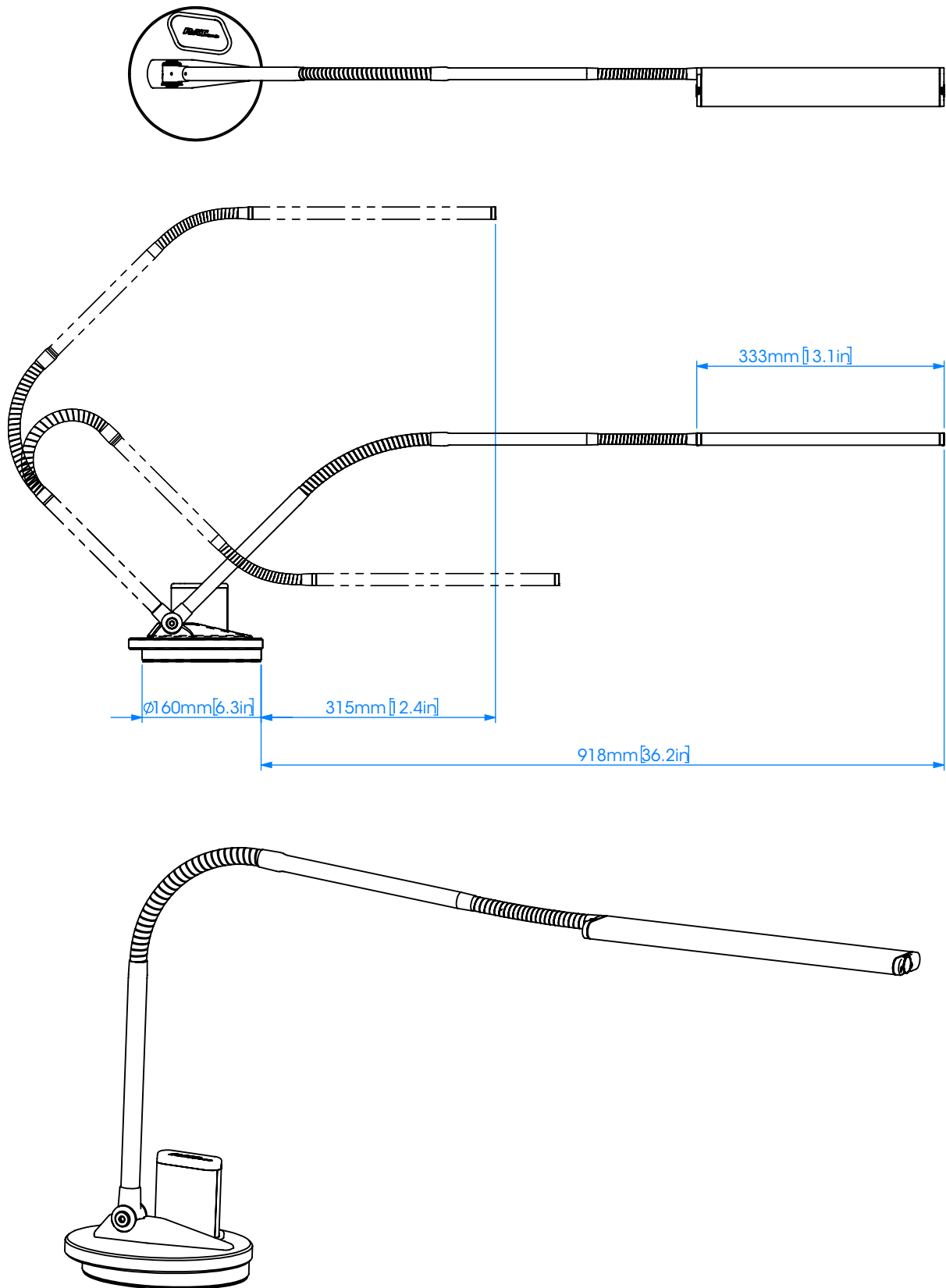
# Product Features



The elegant black design boasts the professional appearance of RATstands products and will complement any piano. The innovative design is unlike any other.



The Apollo Piano Light can be powered using the supplied mains PSU or rechargeable battery. The battery can be recharged whilst the light is in use.



## Specifier's description

Universal piano desk lamp with a single lamp head on an adjustable gooseneck. Slim aluminium housing, 16mm thick, containing 18 LEDs with a colour temperature of 3000K. Low voltage light powered using either mains PSU or Li-ion battery. Battery can be recharged whilst light is in use.

Construction	
Structural parts	Steel
Lamp housing	Aluminium
Cable type	Straight PVC insulated cable, ordered separately
Electrical connector type	DC plug

Dimensions	
Profile of lamp as seen by user: thickness	16mm [0.6in]
Profile of lamp as seen by user: width	330mm [13in]
Rotation of lamp housing	Unlimited
Weight of product (without battery)	4.9kg [10.8lbs]

Optical characteristics	
Colour temperature	3000K
CRI	80min
Life of LEDs to 70% of initial output (L70)	60000hr
Light intensity at mid-point of an A4 score at 300mm distance	1100lux
Luminous flux from LEDs (from manufacturers specification)	518lm

Electrical characteristics	
SELV (safety extra low voltage)	YES
Operating voltage	24V
Electrical power consumption	2.9W
Estimated circuit luminous efficacy	179lm/W

Battery	
Battery life	10 hours of brightness
Charging time	5 hours for 100% (2.5hrs = 80% + 2.5hrs = remaining 20%)

General	
Warranty	2 years
Part number	93Q2
IP rating	IP50
Applicable standards	EN55015, EN55035, EN60529, EN60598
Markings	CE