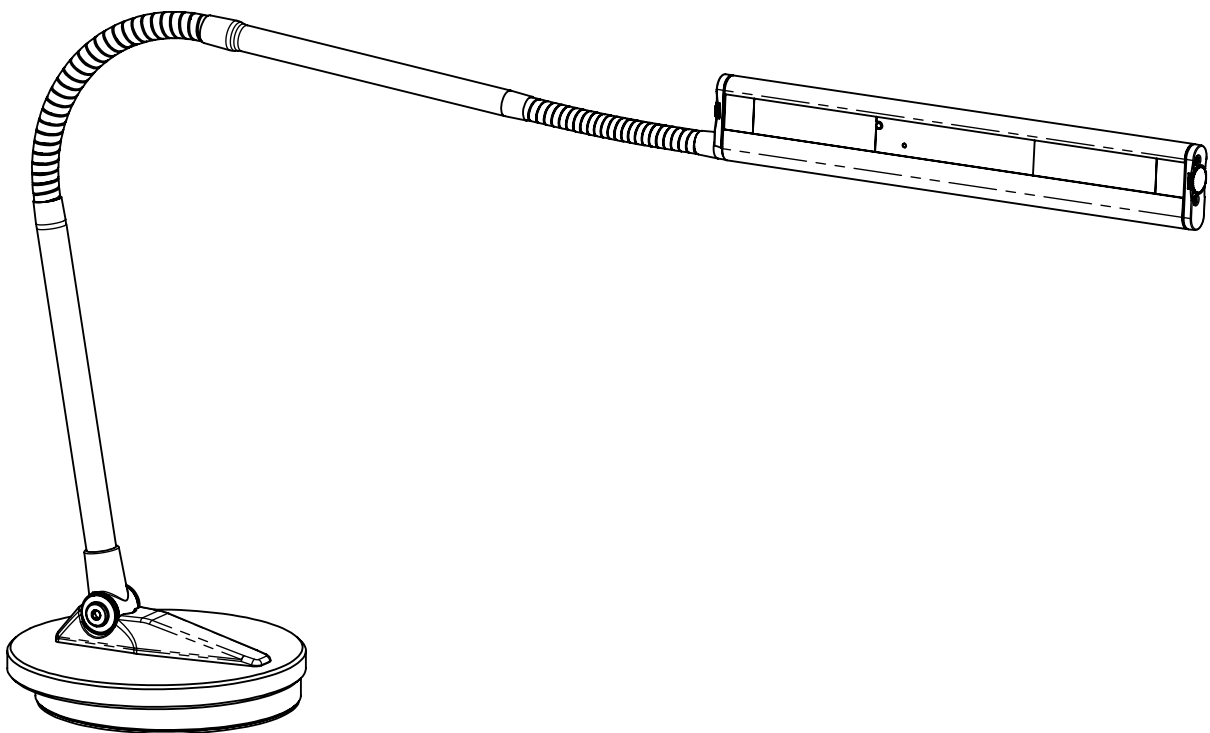
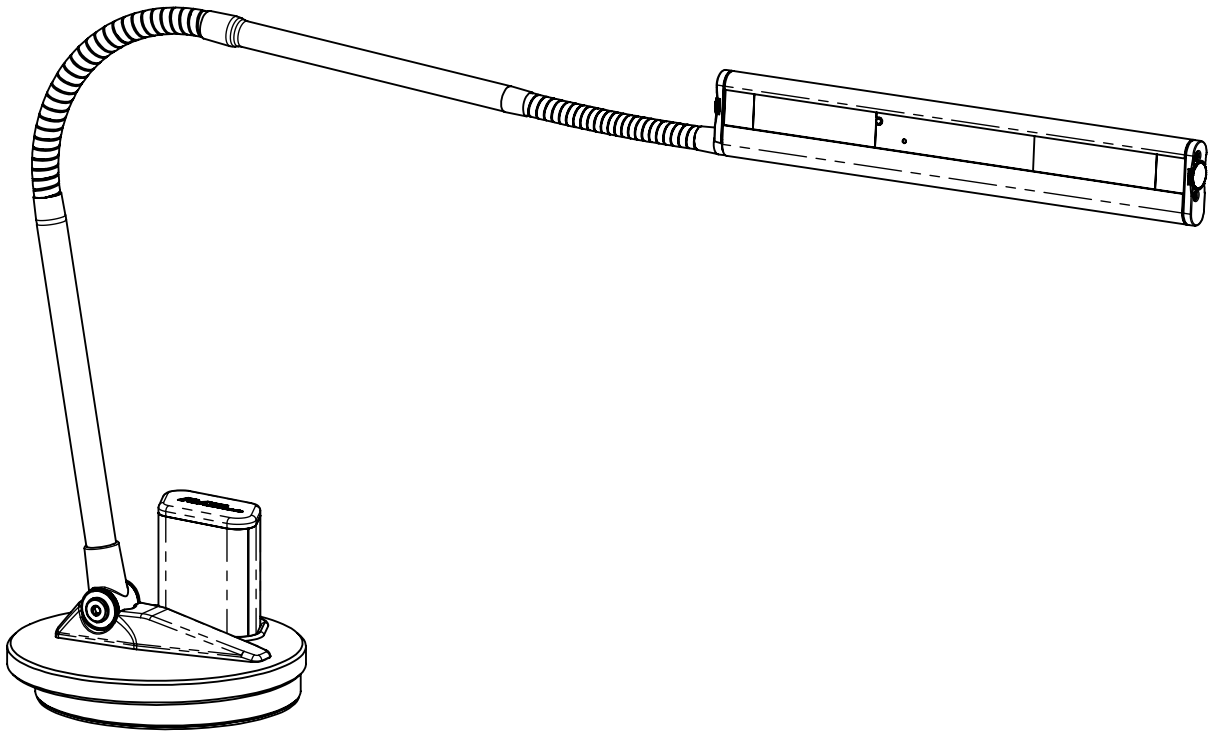
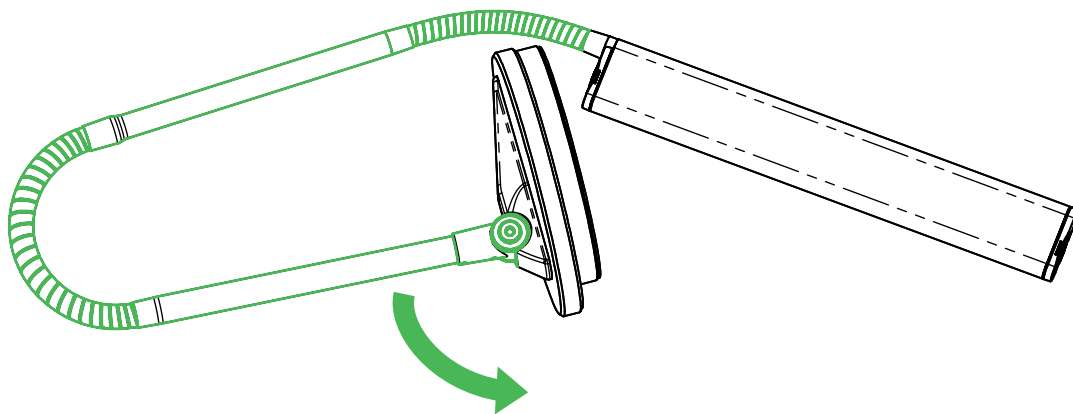


Trio4 Piano Light

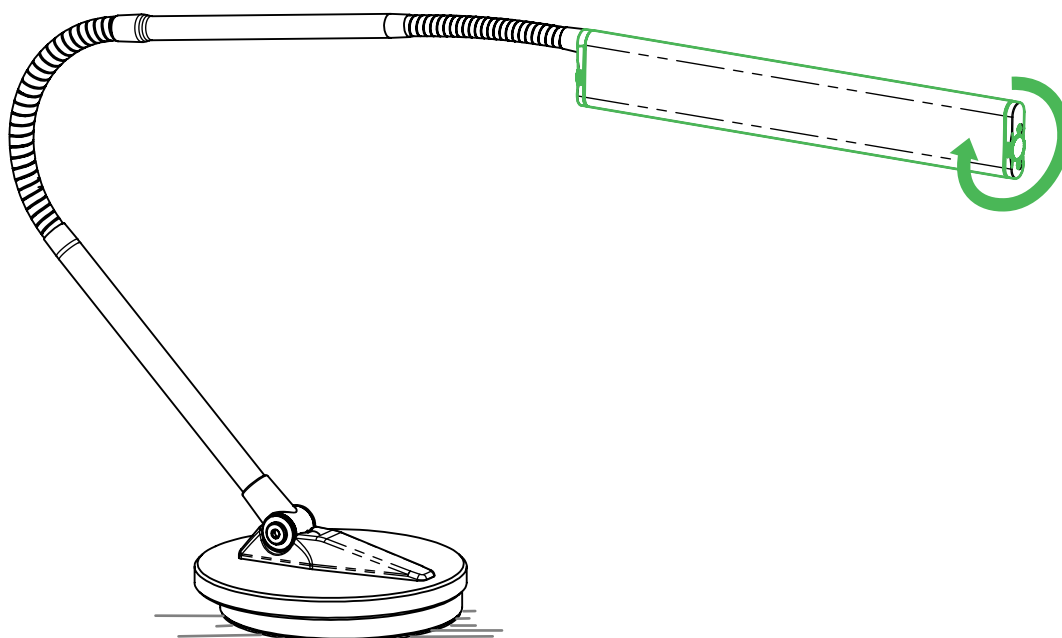
RATstands



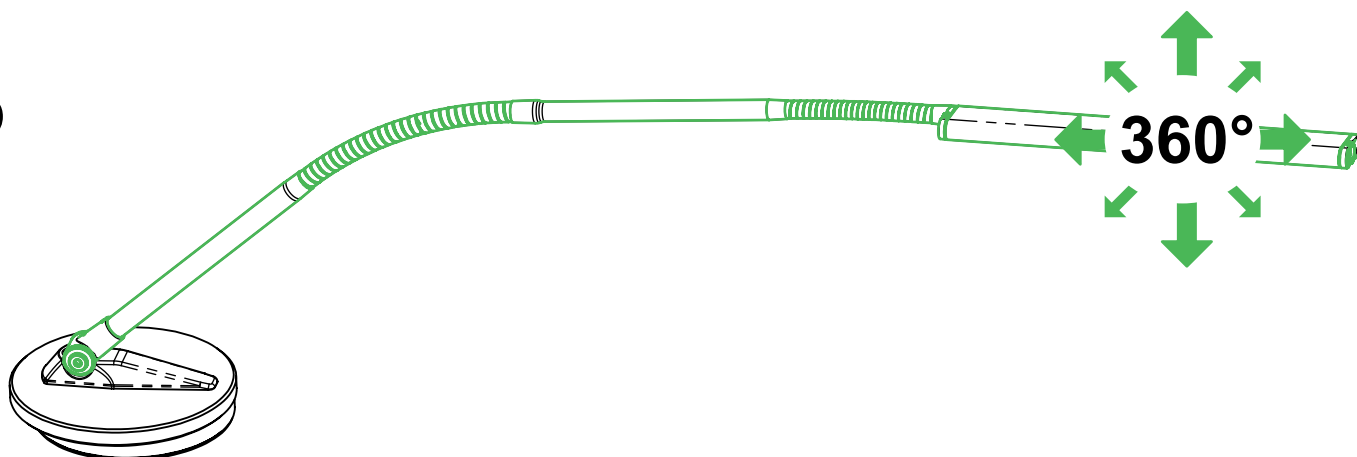
1

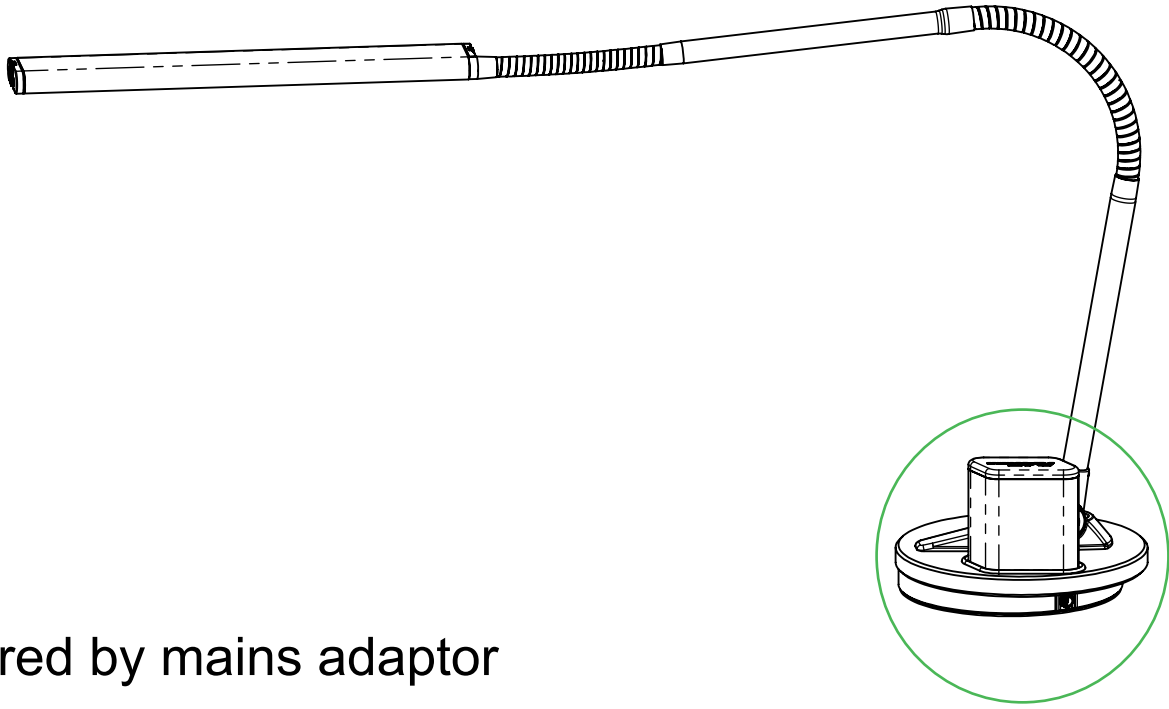


2

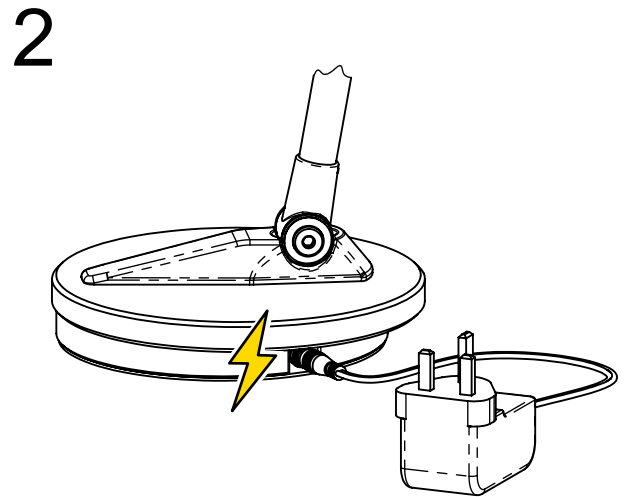
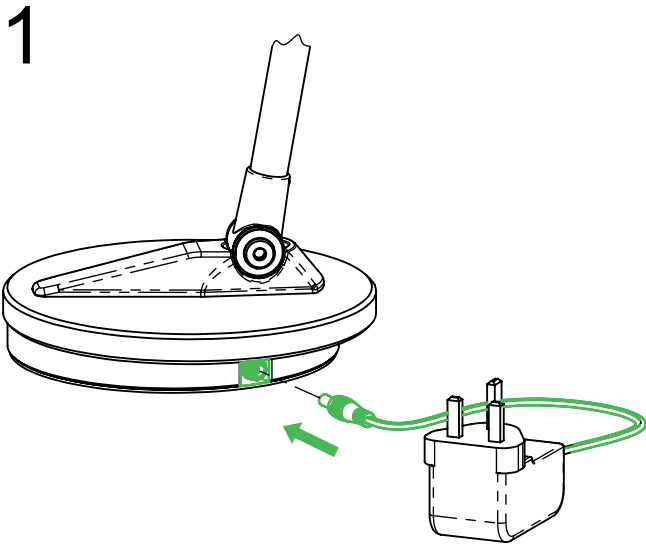


3

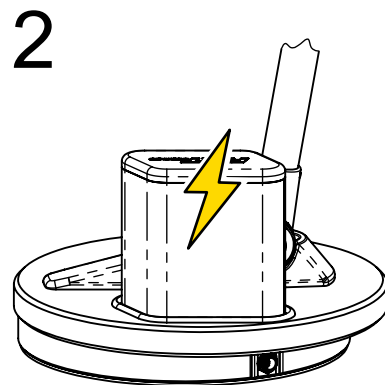
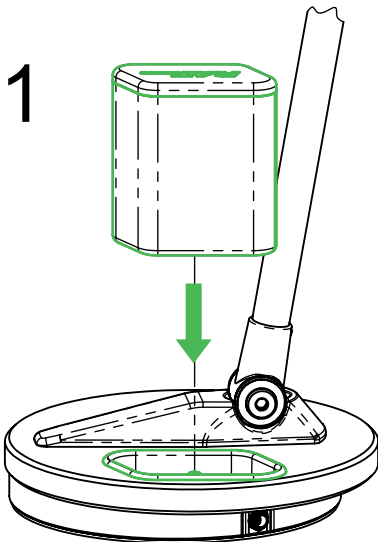




Powered by mains adaptor



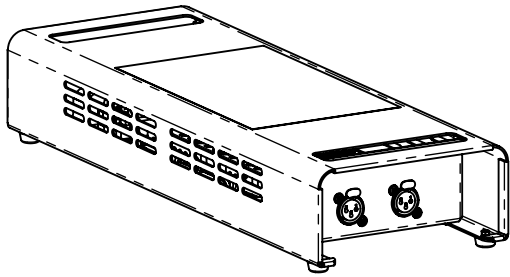
Powered by battery



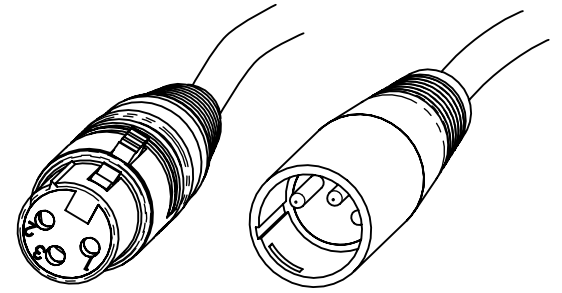
Trio4 Piano light

Power supply operation

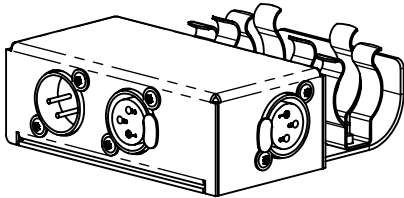
Powered by Trio4 Powerline PSU



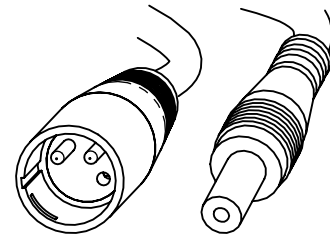
- ① Trio4 Powerline PSU
Part number: 74Q371
Or
Trio4 Dimmer
Part number: 74Q372



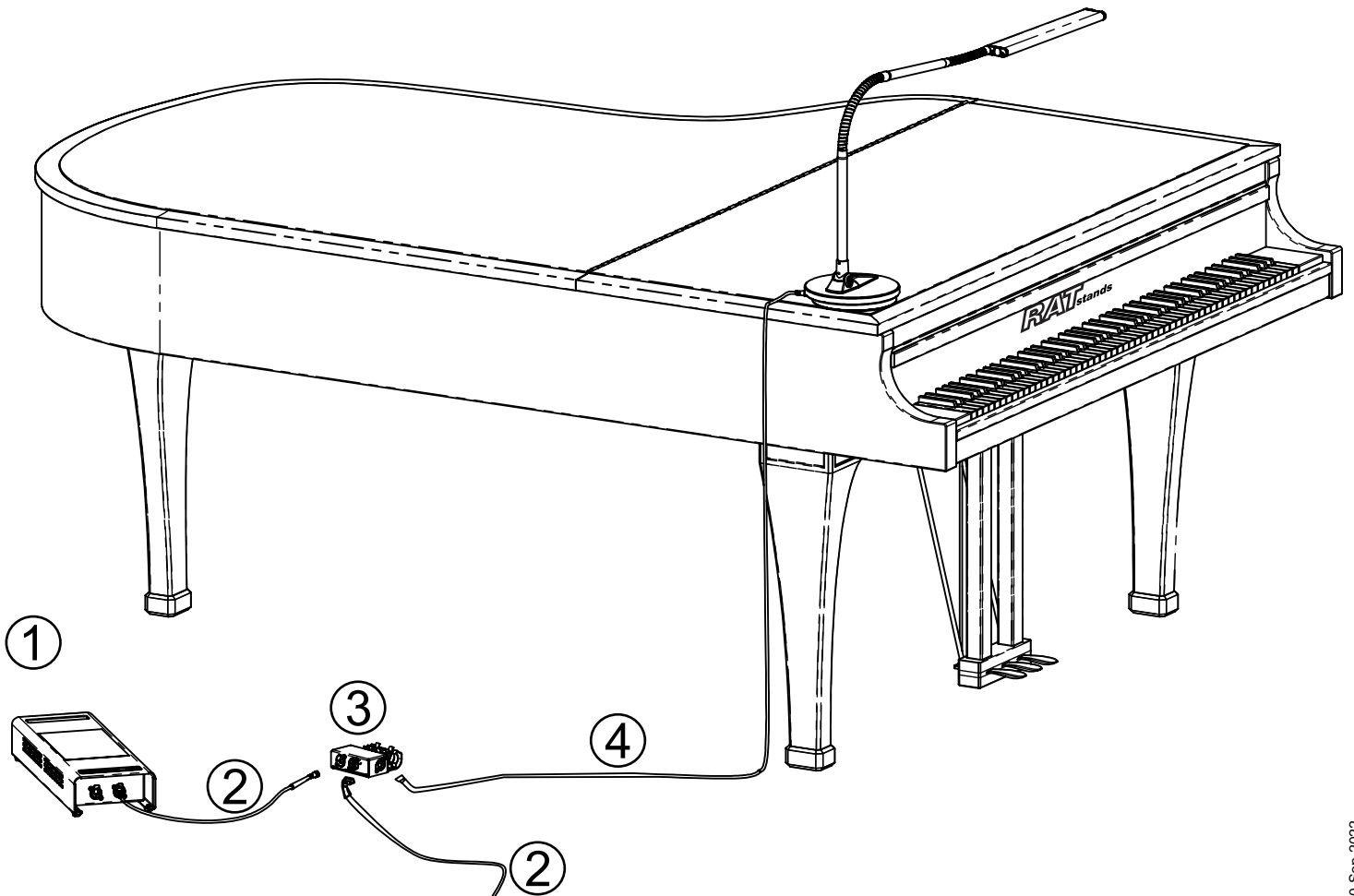
- ② XLR extension lead
Part number:
74Q311-2 (2.3 meter)
74Q310 (1 meter)
74Q311 (1.5 meter)
74Q313 (2 meter)
74Q314 (3 meter)
74Q315 (5 meter)
74Q319 (10 meter)



- ③ XLR Daisy chaining box
Part number: 74Q311-1



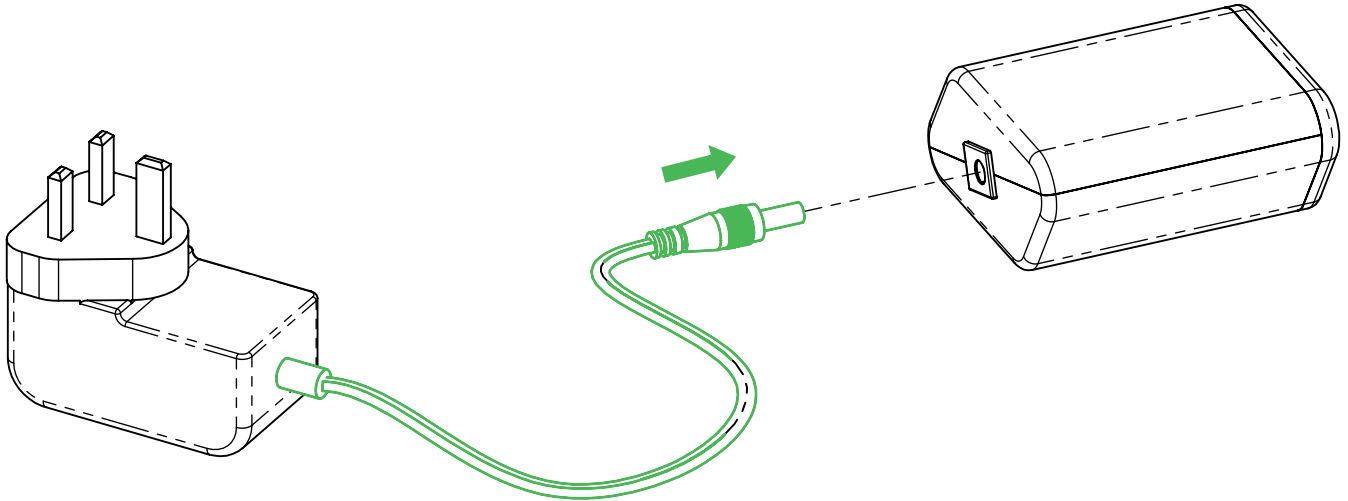
- ④ Powerline extension cable for Piano Light
Part number: 93Q6 (3 meter) or EXL54 (1.5 meter)



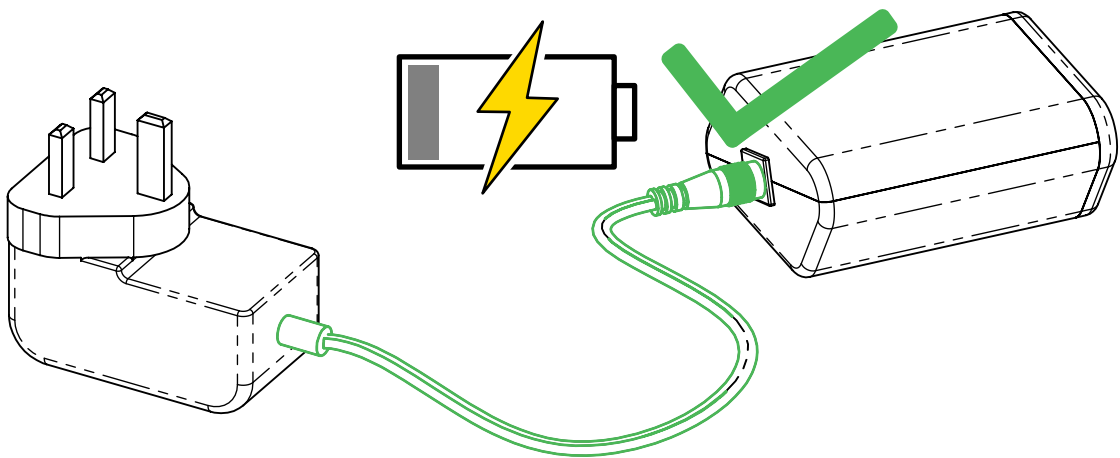
Trio4 Piano Light with battery

Charging battery Information

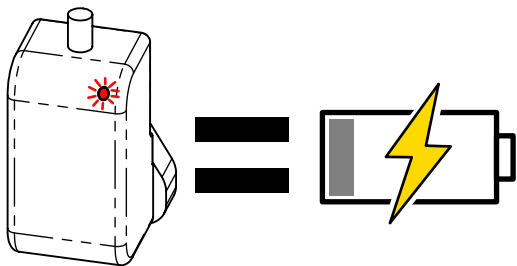
1



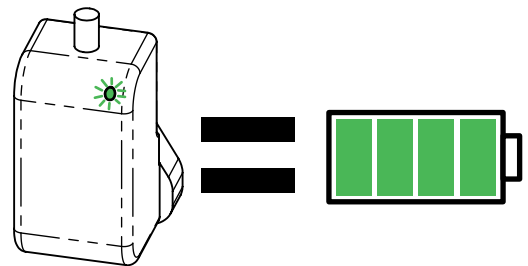
2



3

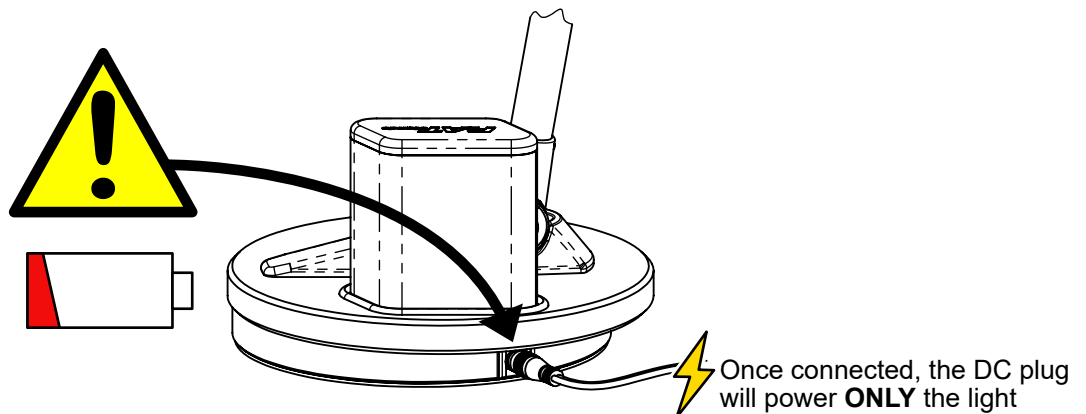


Steady **RED** light indicates battery charging







Steady **GREEN** light indicates full battery

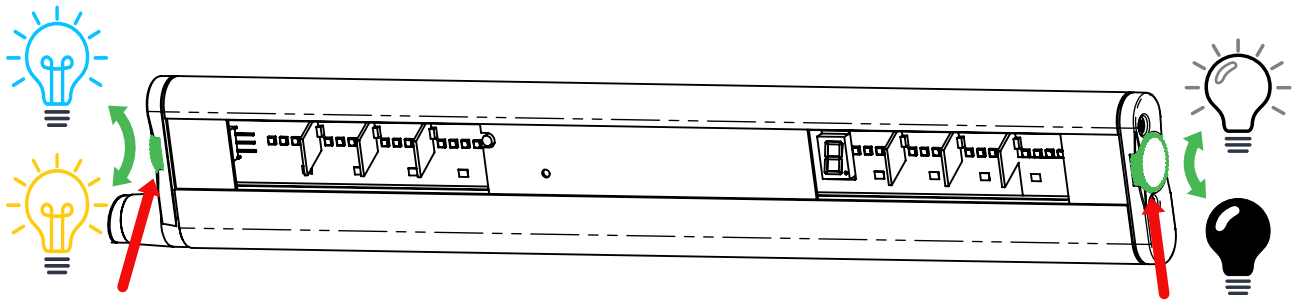
Battery will **NOT** charge, when DC plug is connected.



OPTIONS TO CONTROL AND POWER THE LIGHTS

Powered by		Can be controlled by
	<p>XLR Daisy chain through Powerline PSU (drive a total of up to 17 lights).</p> <p>The PSU has 2 outputs so that up to 10 lights can be chained per output.</p>	<p>Powerline, radio (provided no dmx transmitter is plugged into the powerline) or manual</p>
	<p>XLR Daisy chain through Powerline dimmer (functions the same as PSU but has an external power supply, drive a total of up to 17 lights).</p>	
	<p>Rechargeable battery that can be clipped to the base of the music stand stem.</p>	<p>Radio or manual</p>
	<p>Plug top PSU that provides 24 volt when directly plugged into the mains.</p>	<p>Radio or manual</p>

1 LOCAL CONTROL



Colour temperature
(2700K to 4000K)

Brightness

Thumb wheel controls at each end of the light enable the musician to adjust the brightness and colour temperature of the light output.

2 POWERLINE AND RADIO TRANSMITTER OPERATING INSTRUCTIONS



Display Button
Shows battery level

Setting Button
Change zones

LED Display

Display button: a short press of the Display Button causes the LED display to show the currently set zone one; a long press causes it to show the state of charge of the battery connected to the light (see section 1 of Battery and Charging Station Operating Instructions Manual).

Setting button: pressing the Setting Button once causes the display to show the current set zone; subsequent presses increment the zone number.

Battery charge

If the light is powered using a battery and the remaining charge falls to a low level, the light will limit its maximum brightness and flash B and 0 on the LED display, to indicate that the battery needs to be charged (for more information see section 1 of Battery and Charging Station Operating Instructions Manual).

Note that even when the LEDs are emitting no light, the Trio4 will draw a small current from the battery and will eventually drain it completely. This can ultimately lead to battery failure. Therefore the light should be disconnected from the battery whenever it is not in use.

Setting the light up for remote control

Each light can be placed into one of 7 different zones for the purposes of remote control (1-6) or control can be given to the user.

LED Display	Control
0	Manual Control (overrides remote control)
1	Zone 1
2	Zone 2
3	Zone 3
4	Zone 4
5	Zone 5
6	Zone 6

Zone 0 gives local control to the user irrespective of the fact that powerline or radio is being used.

Double lights requires both displays to be set to the same zone in order to be controlled from one zone.

Order of priority

Radio has priority over the thumbwheels, and Powerline has priority over a Radio signal. So the order of seniority is:

1. Powerline
2. Radio
3. Thumbwheels

Under remote control, options are available to give limited control to the user (see section 4 Power and Control Systems).

COMPATIBILITY MODE

Trio3 Powerline

When powering and controlling a Trio 4 light through a Trio3 Powerline PSU the Trio 4 light will effectively behave like a Trio 3 light. Whereby:

Channel 1: controls brightness of the light regardless of the zone the light is in.

Channel 2: controls the colour temperature of the light.

Trio3 Radio

Under Trio 3 radio control the Trio 4 light will effectively behave like a Trio 3 light with radio control.

Whereby channels 1 and 2 will control brightness and colour temperature of zone 1, channels 2 and 3 will control brightness and colour temperature of zone 2 and so on for all six zones.

If the colour temperature is raised to DMX level 253 or above control of the colour temperature is given to the user.

The Trio 4 special functions are disabled when in compatibility mode.