

Z3 Pro Tablet Stand

A fully adjustable tablet stand (for the iPad Pro 12.9") that can be folded completely flat in 3 simple steps, to a size no bigger than the base. The Z3 Pro Tablet Stand uses friction lock technology to automatically hold the stand at the desired height of the musician. It does this with no knobs, no finger traps, and no hassle. Making this the ultimate travelling tablet stand for both individual musicians, touring groups, and orchestras.





Musicians can view their iPad in either portrait or landscape orientation by simply rotating the head of the stand. The straight-forward design, ensures that the tablet can be moved securely, without any finger traps.



A single knob located on the rear of the Z3 Stand head allows the musician to easily secure or release their tablet from the stand.



The anodised aluminium stem is very strong and rigid, ensuring that the stand will not sway. Friction locks will automatically hold the tablet at the desired height and angle, without the requirement of adjusting any thumb screws or levers.



Die cast aluminium legs give this stand enormous strength whilst maintaining a low weight. Rubber feet preserve the floor and prevent clatter if the stand is knocked.

Product Features

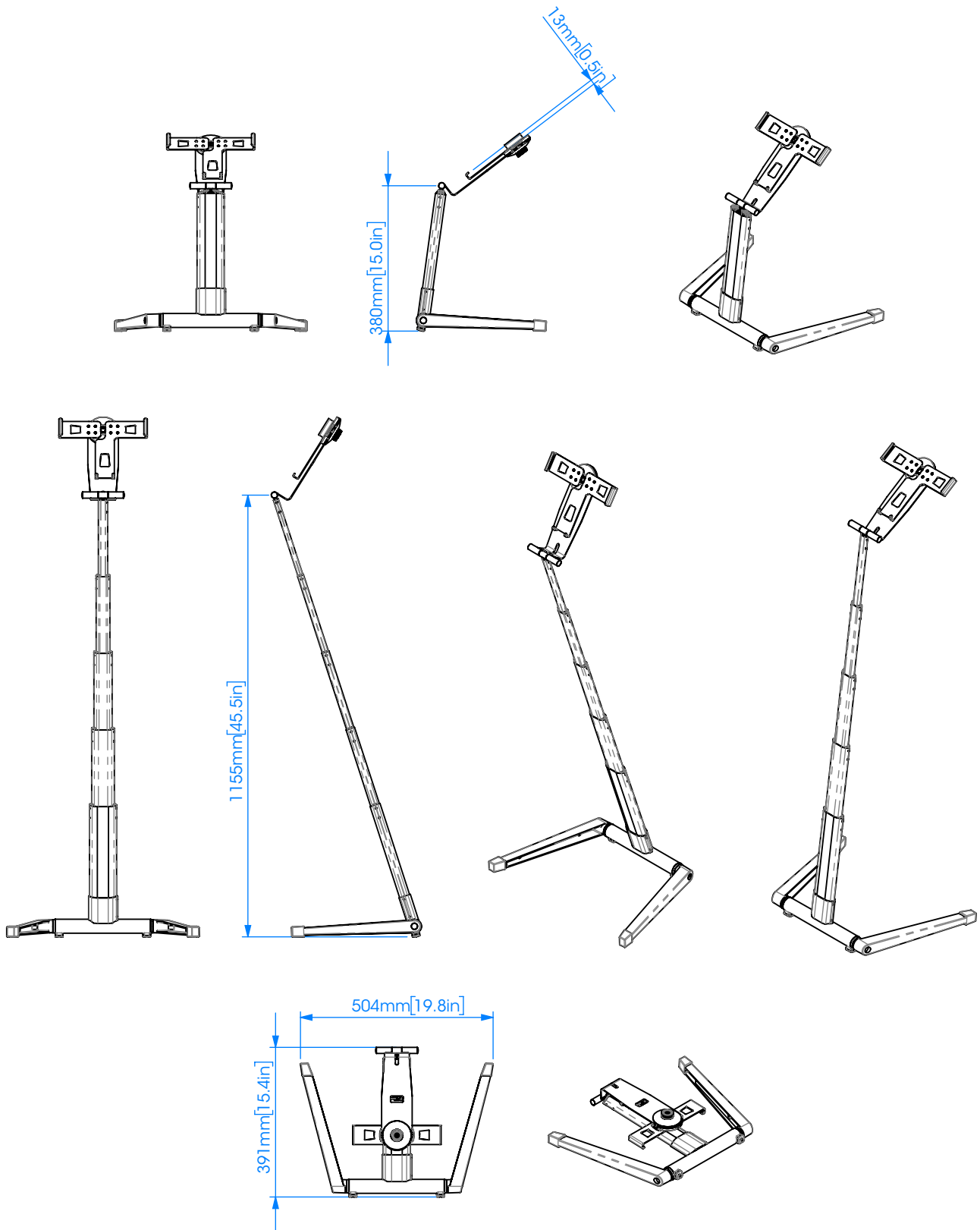


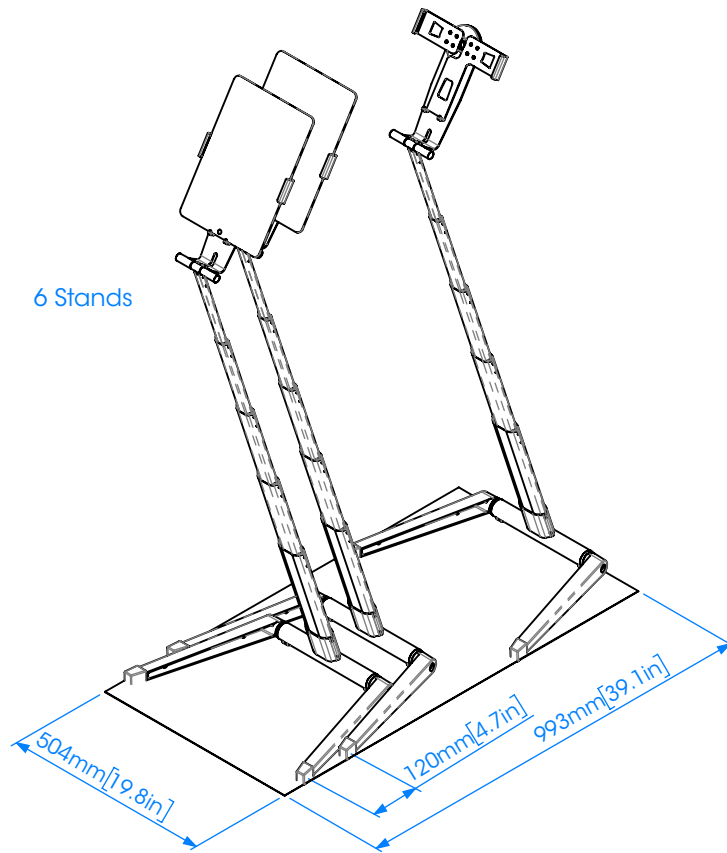
As a result of its unique design, the Z3 stand can fold completely flat in three simple moves. There are no finger traps or screws to fiddle with or lose. The Z3 Pro Tablet Stand is compatible with the RATstands Gig Bag.



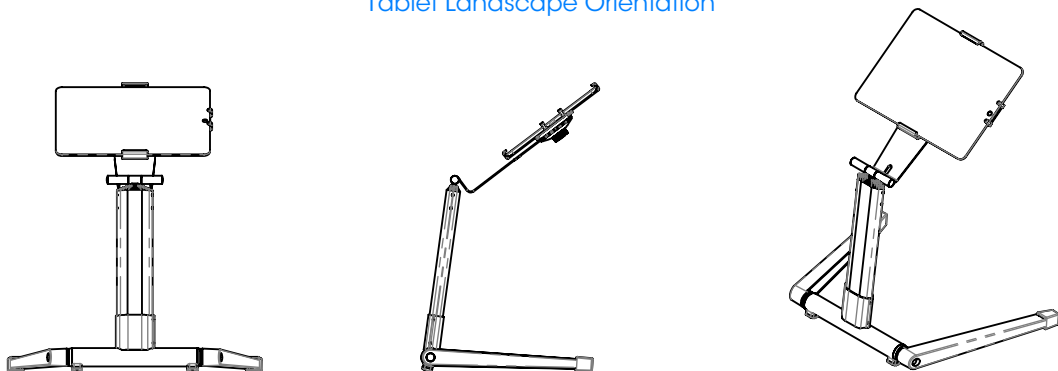
The base of the Z3 Stand can be reversed so that it can be placed closely to the player or chair in front, without compromising on stability.

Detailed Specification





Tablet Landscape Orientation



Detailed Specification

Specifier's description

A folding tablet stand, only compatible with the iPad Pro 12.9. Stands can be folded flat to the size of the base, without the requirement of dismantling, or any adjusting screws or levers. Telescopic stem made from anodised aluminium. Base comprises of die cast aluminium legs with an epoxy coating, and rubber feet. Lever free locks for stand height and angle of the head fixture. Rotating gripper arms permit musician to view iPad in portrait or landscape orientation.

Construction	
Structural parts	Aluminium
Feet	Rubber
Head	Polypropylene
Coating	Anodised Aluminium

Dimensions	
Gripper arm width (minimum-maximum)	210-226mm [8.3-8.9in]
Maximum depth of gripper arm lip	13mm [0.5in]
Lowest height to bottom of head fixture	380mm [15in]
Tallest height to bottom of head fixture	1155mm [47.5in]
Nesting pitch	120mm [4.7in]
Floor occupied by 20 nested stands	2673 x 504mm [105.2 x 19.8in]
Volume of folded stand	504 x 391mm [19.8 x 15.4in]
Weight	1.5kg [3.3lbs]

General	
Warranty	5 years
Part number	201Q34B.