
DUO CLIP-ON LIGHT

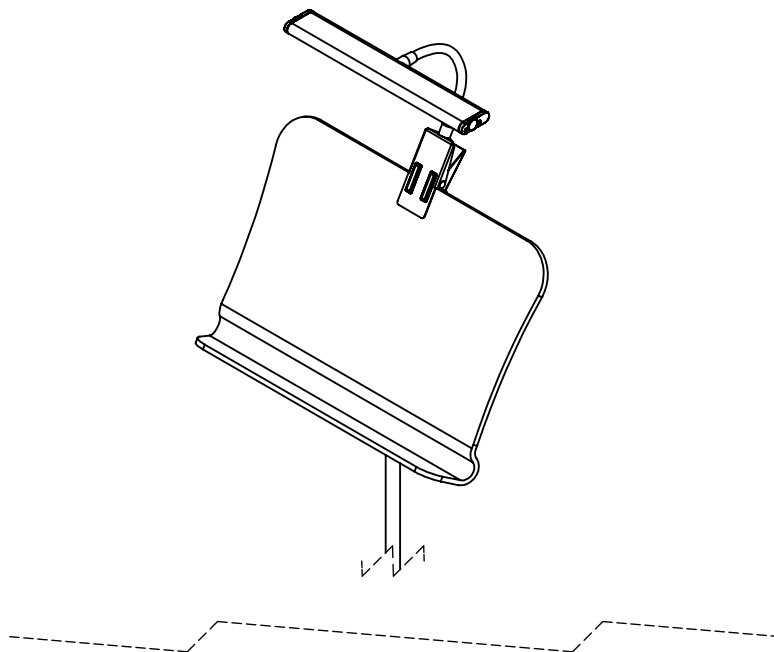
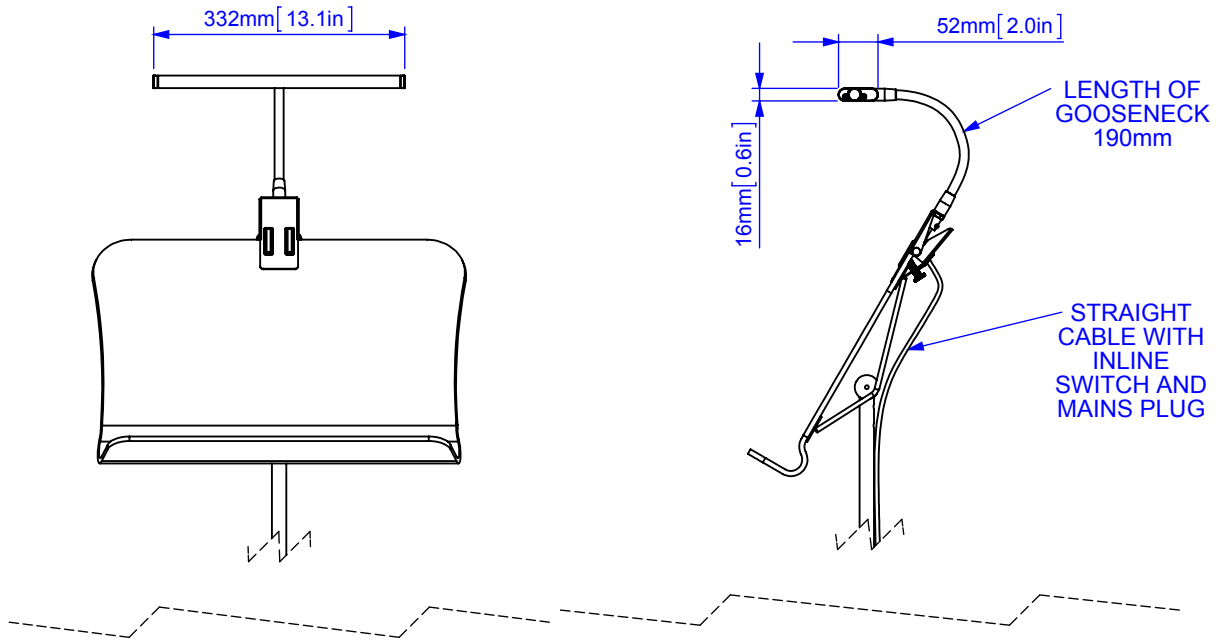
The Duo Clip-on Light is a professional quality, mains driven lamp that can be found in many venues throughout the world. It is bright enough for any situation and yet the superb cutoff ensures that the light falls on the music score and nowhere else.



RAT stands

DUO CLIP-ON LIGHT

Detailed specification



DUO CLIP-ON LIGHT

Detailed specification



Specifier's description

Universal music stand light with powerful spring clip. Slim aluminium housing, 16mm thick, containing 12 LEDs with a colour temperature of 4000K. Powered directly from the mains

with 6.7W electrical consumption and without the need for an intermediate power supply. Is dimmable by leading or trailing edge phase dimmers.

Construction	
Structural parts	Steel
Lamp housing	Extruded aluminium
cable type	Mains cable with inline switch, PVC outer sheath
electrical connector type	Mains plug

Dimensions	
Profile of lamp as seen by user: thickness	16mm [0.6in]
Profile of lamp as seen by user: width	330mm [11.8in]
Rotation of lamp housing	300°
Cable length (from clip, fully stretched)	3200mm [126in]
Weight	0.53kg [1.2lb]

Optical characteristics	
Colour temperature	4000K
CRI	80 min
Life of LEDs to 70% of initial output (L70)	50,000hrs
Luminous flux from LEDs	580 lm

Electrical characteristics	
SELV (Safety extra low voltage)	NO
Class II insulation (double insulated)	YES
Operating voltage	Mains
Electrical power consumption	10.1W
Circuit luminous efficacy	57 lm/W

General	
Commercial use warranty	2 years
Applicable standards	EN55022 EN60598 EN60529
IP rating	IP32
RATstands part number	73Q02